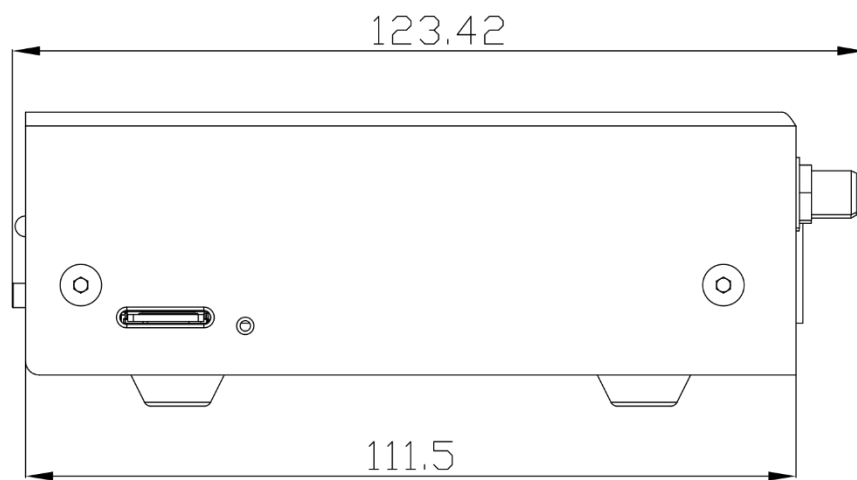
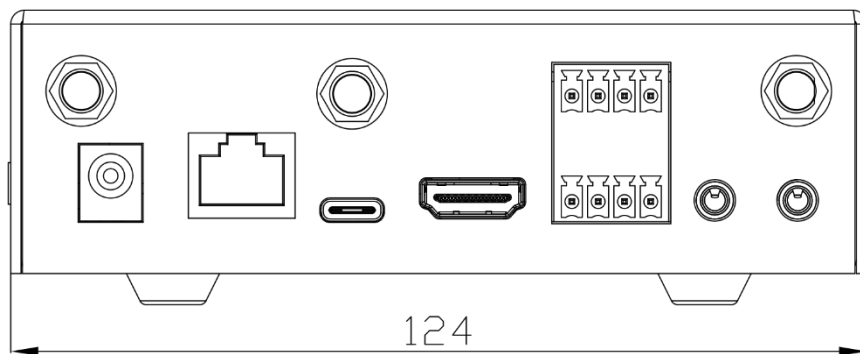
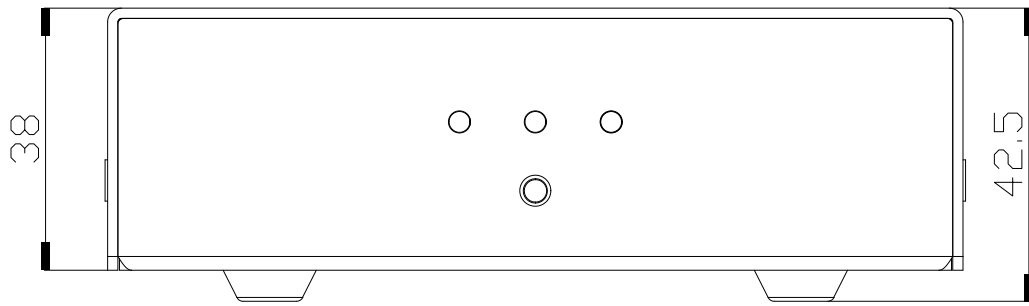


# QUICK INSTALLATION GUIDE

## QCS605 AI BOX

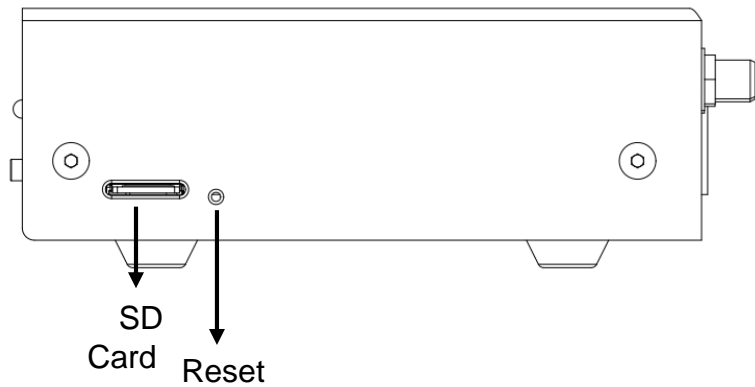
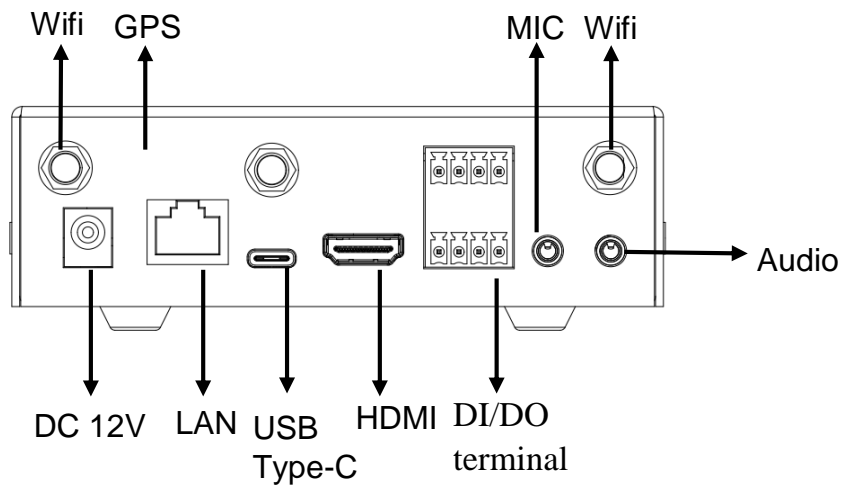
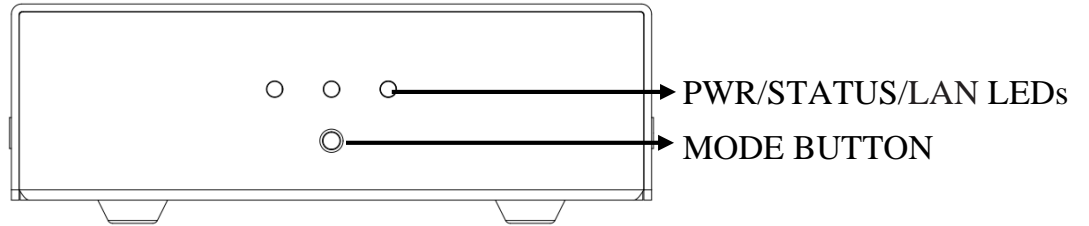


Dimensions



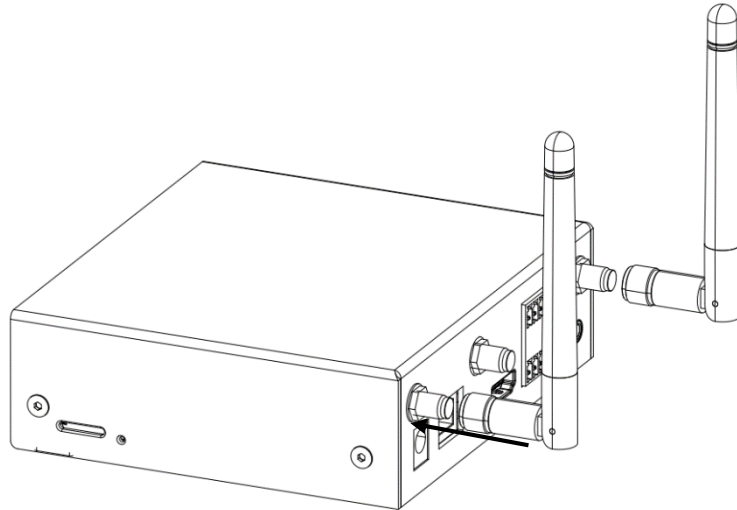
## Physical Description

### 1. Outer View

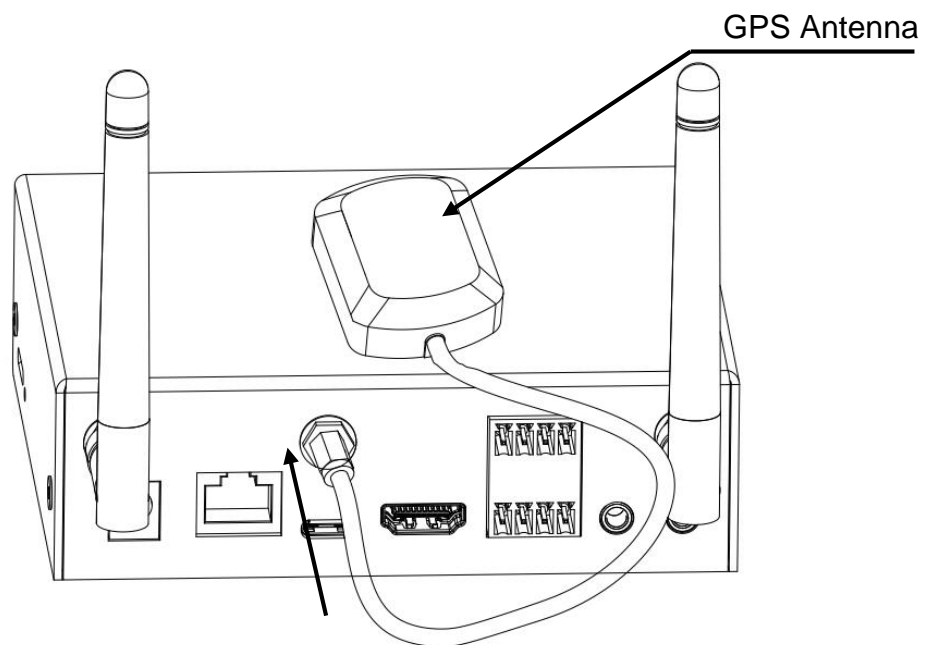


## Hardware Installation.

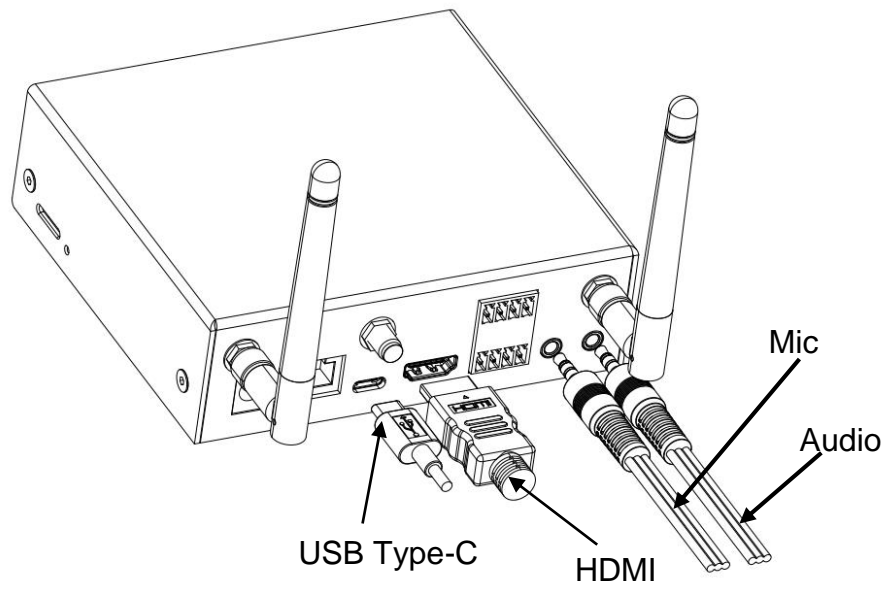
1. Install the dual wifi Antenna.



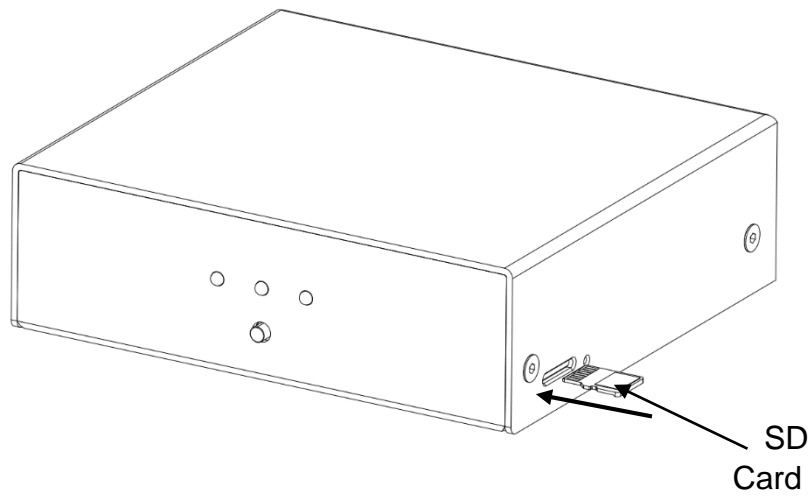
2. Install the GPS Antenna.



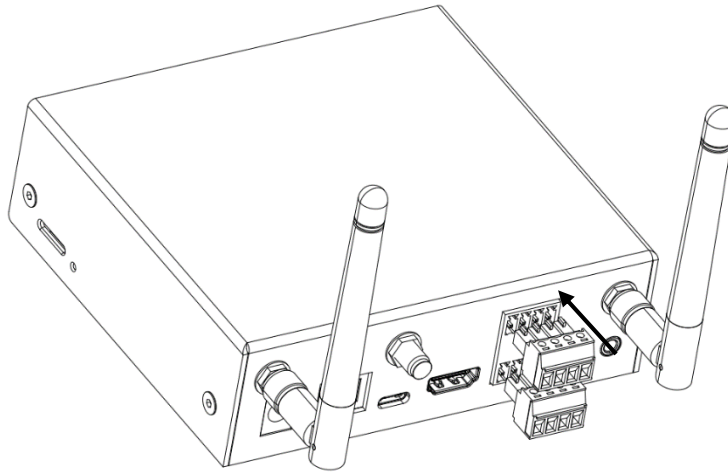
### 3. Install Mic, Audio, USB Type-C, Micro HDMI



### 4. Install SD Card.



5. Install DI/DO
  - a. Install Terminal connector.



- b. Installing Cable DI/DO to block terminal. Then, to use Screwdriver fix the cable.

