

4

3



2



1

B

B



A

A

4

3



2

1

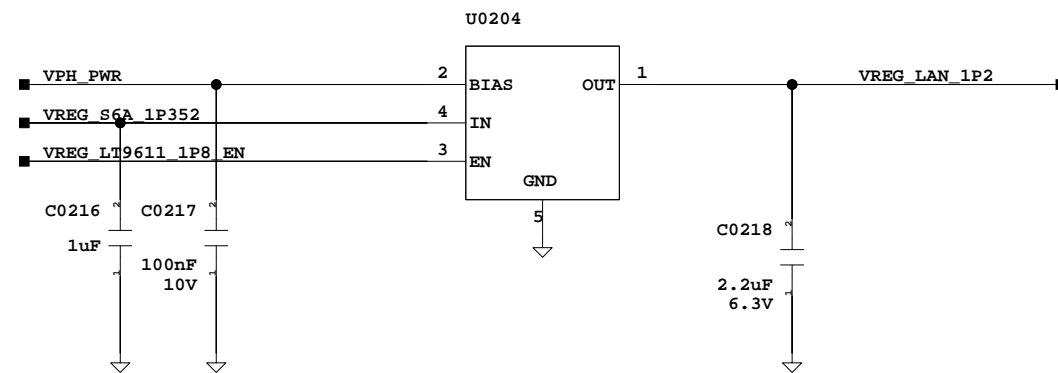
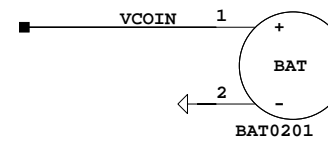
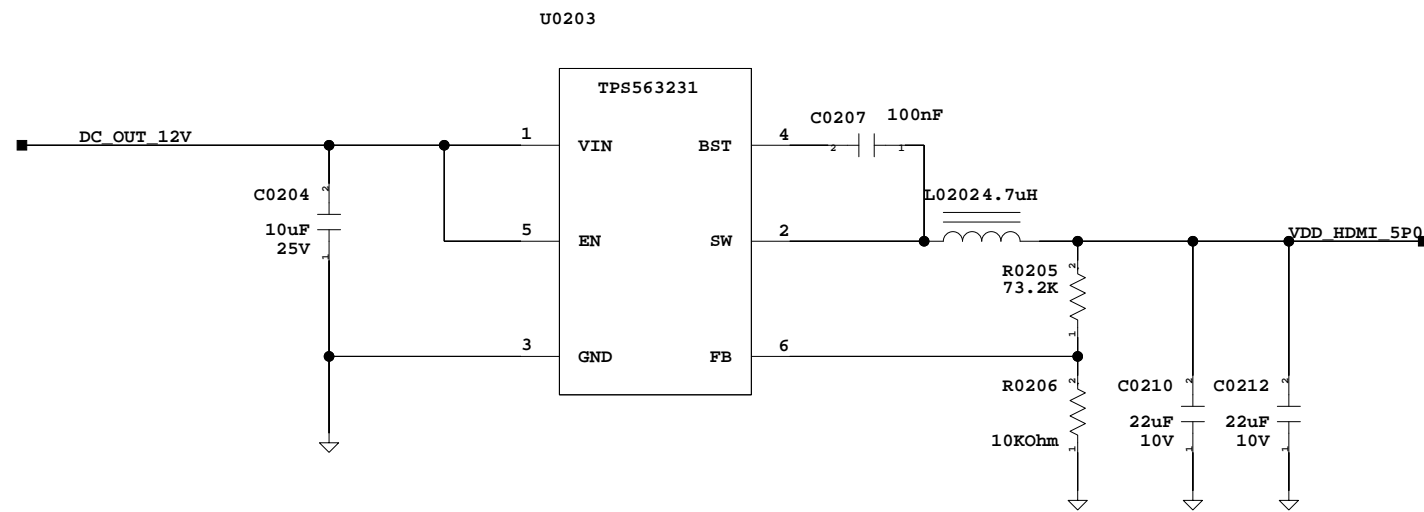
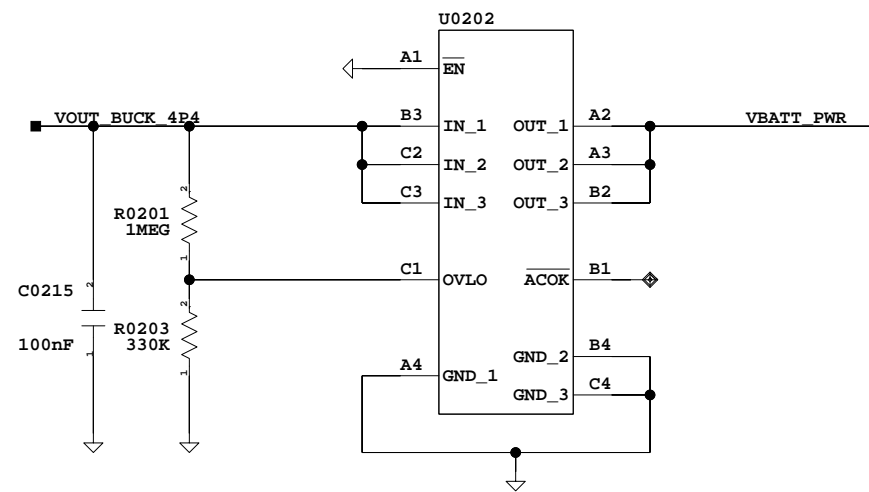
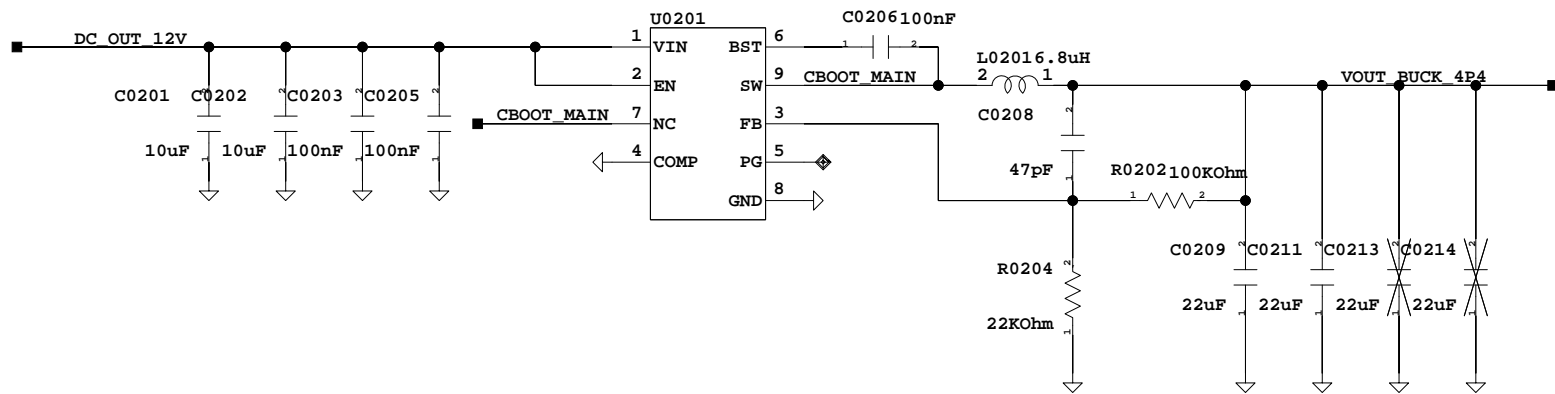
	Bkav Corp		
Confidential			
Designer:	Drawing Title: K01_SUB		
Drawn by:	Page Title: 40		
Approved:	Size B	Document Number	Rev
Sheet of 14		Date: 13/11/2020:19:45	

4

3

2

1



Bkav Corp			
Confidential			
Designer:	Drawing Title: K01_SUB		
Drawn by:	Page Title: 02 POWER SUPPLY		
Approved:	Size	Document Number	Rev
	B		
Sheet of 9		Date: 17/09/2021:17:13	

4

3

2

1

4

3

2

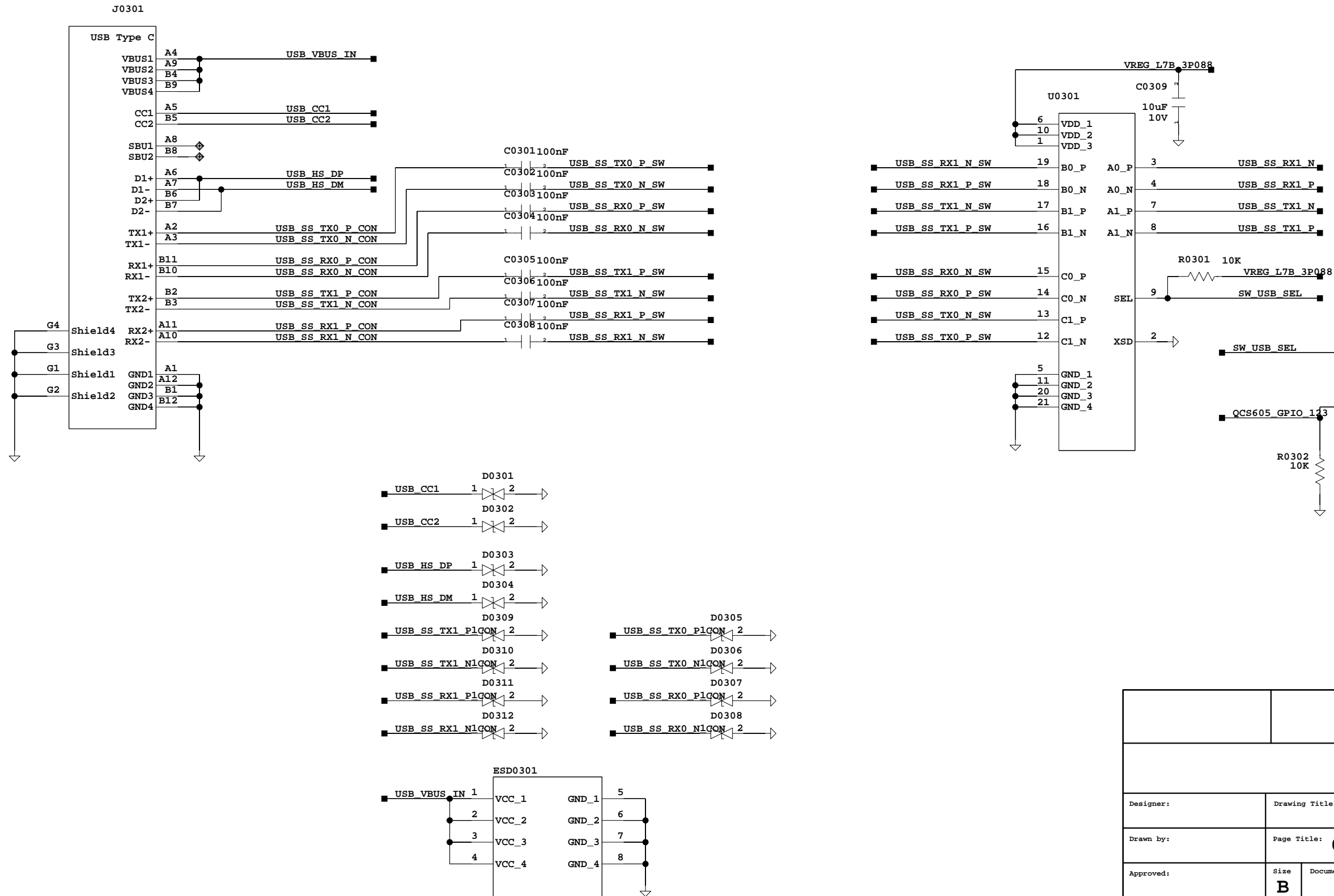
1

B

B

A

A



Bkav Corp			
Confidential			
Designer:		Drawing Title: K01_SUB	
Drawn by:		Page Title: 03 USB Type C	
Approved:		Size: B	Document Number: _____
Sheet: of 1		Date: 01/09/2021:09:04	

4

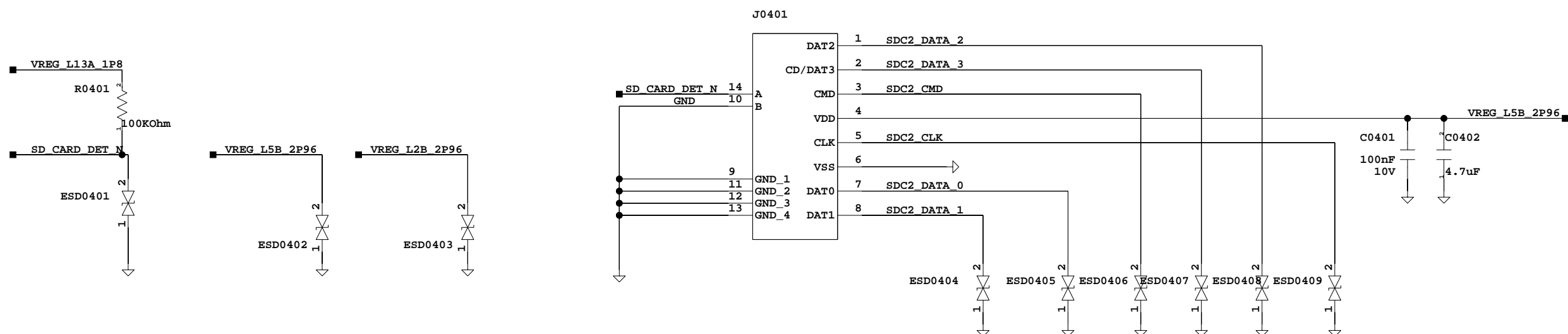
3

2

1

B

B



A

A

Bkav Corp			
Confidential			
Designer:	Drawing Title: K01_SUB		
Drawn by:	Page Title: 04 SD CARD		
Approved:	Size B	Document Number	Rev
Sheet of 2		Date: 17/09/2021:17:11	

4

3

2

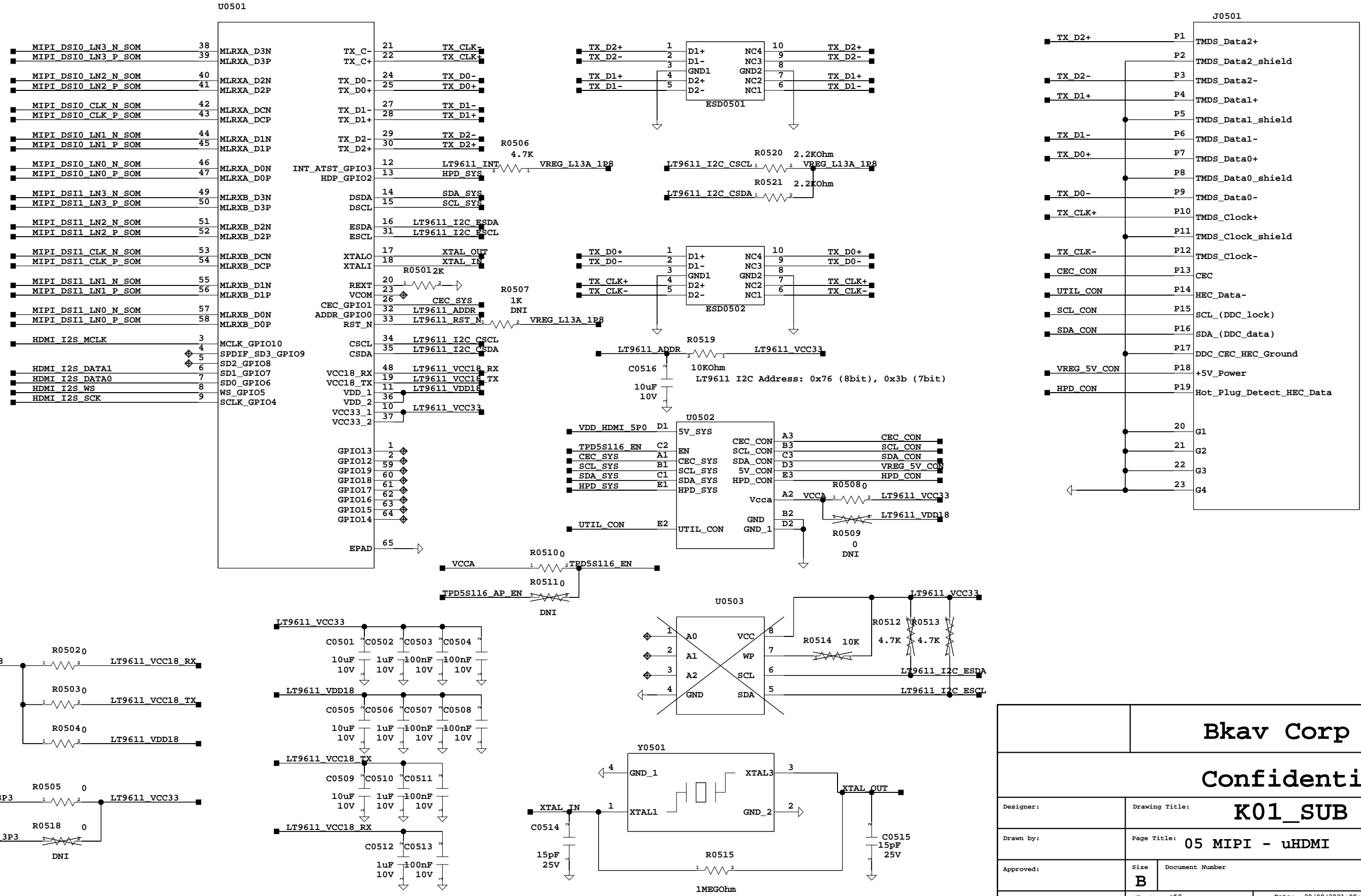
1

B

B

A

A



Bkav Corp			
Confidential			
Designer:		Drawing Title: K01_SUB	
Drawn by:		Page Title: 05 MIPI - uHDMI	
Approved:		Size: B	Document Number:
		Sheet: of 8	Date: 20/09/2021:09:10

4

3

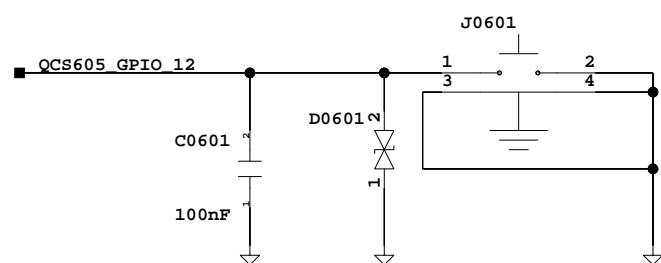
2

1

1

B

B



A

A

A

A

4

3

2

1

1

		Bkav Corp	
Confidential			
Designer:	Drawing Title: K01_SUB		
Drawn by:	Page Title: 06 BUTTON		
Approved:	Size B	Document Number	Rev
Sheet of 10		Date: 17/09/2021:17:07	

4

3

2

1

1

B

B

A

A

	Bkav Corp		
Confidential			
Designer:	Drawing Title: K01_SUB		
Drawn by:	Page Title: 07 ALARM I/O		
Approved:	Size B	Document Number	Rev
Sheet of 12		Date: 27/08/2021:20:05	

4

3

2

1

1

4

3

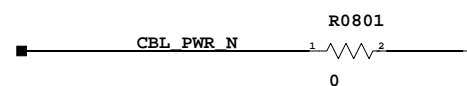
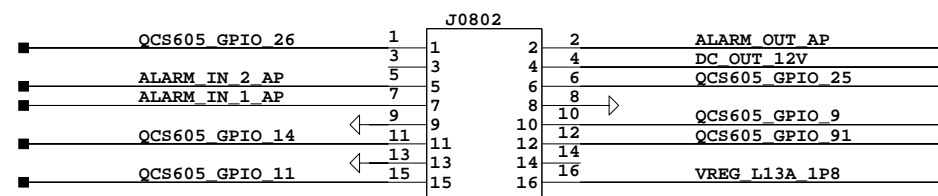
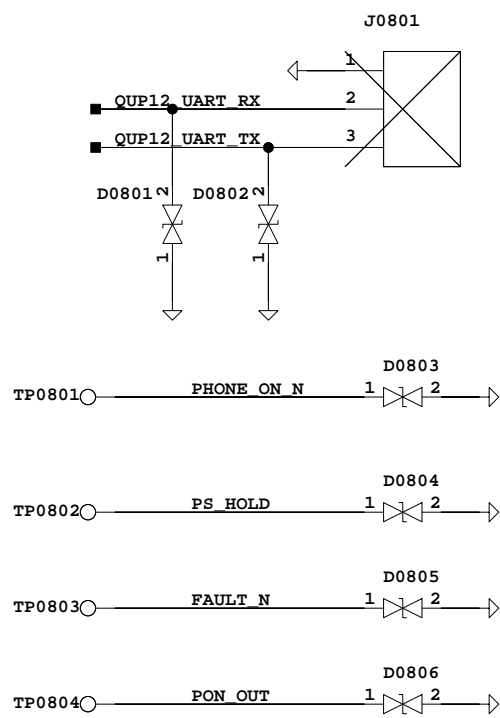
↓

2

1

B

B



A

A

Bkav Corp			
Confidential			
Designer:	Drawing Title: K01_SUB		
Drawn by:	Page Title: 08 EXPANSION HEADER		
Approved:	Size B	Document Number	Rev
Sheet of 13		Date: 01/09/2021:10:12	

4

3

↑

2

1

4

3

2

1

B

B

A

A

	Bkav Corp		
Confidential			
Designer:	Drawing Title: K01_SUB		
Drawn by:	Page Title: 09 CONNECTOR IMAGE SENSOR		
Approved:	Size B	Document Number	Rev
Sheet of 15		Date: 23/08/2021:17:06	

4

3

2

1



4

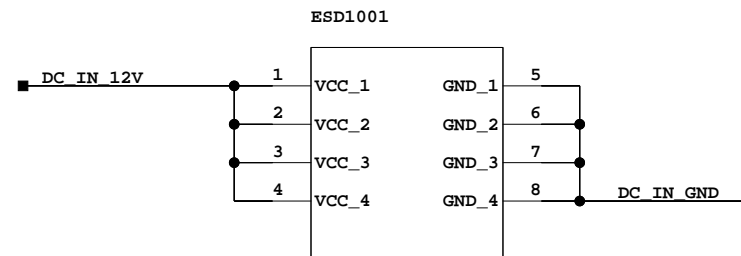
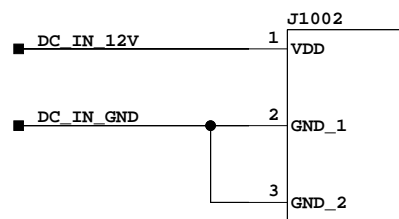
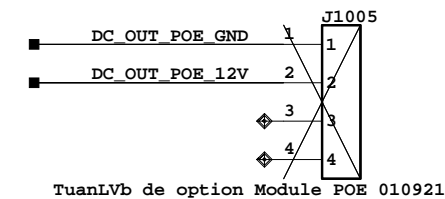
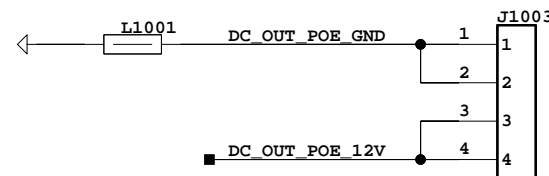
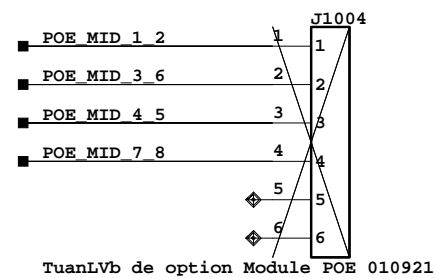
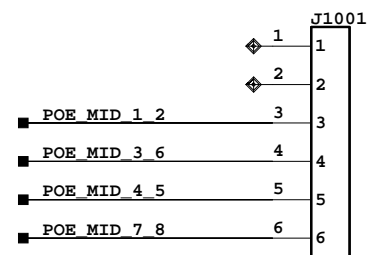
3

2

1

B

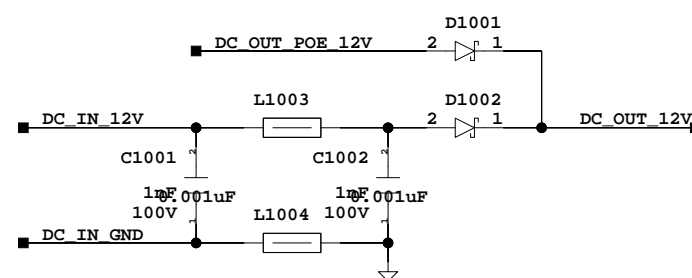
B



A

A

A



4

3

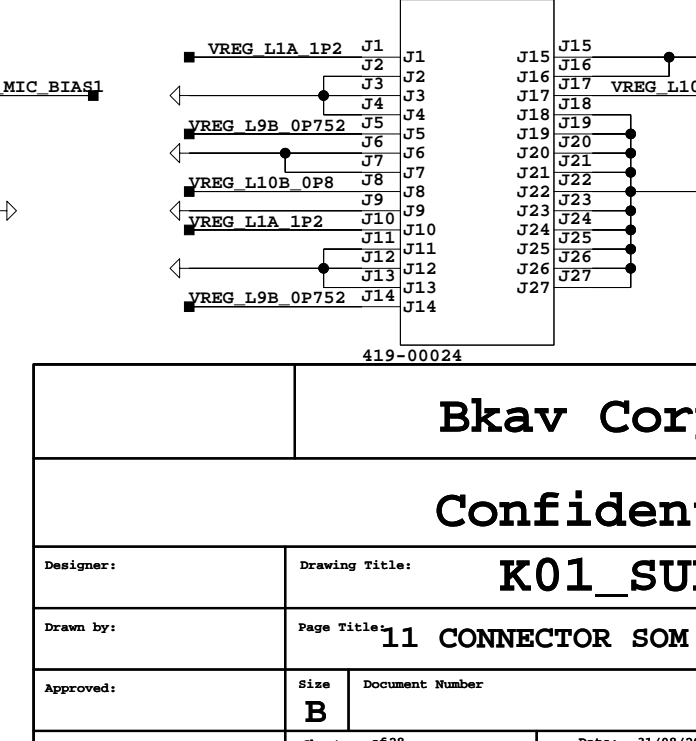
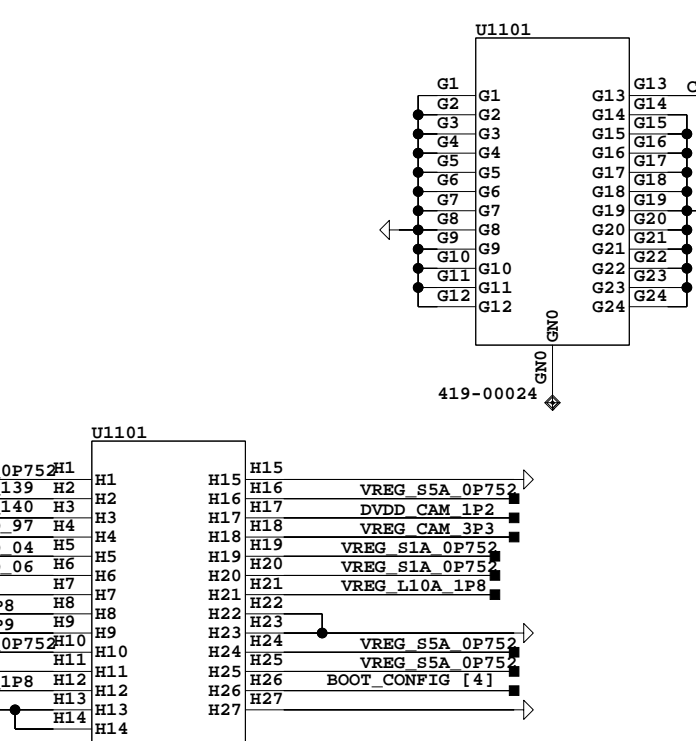
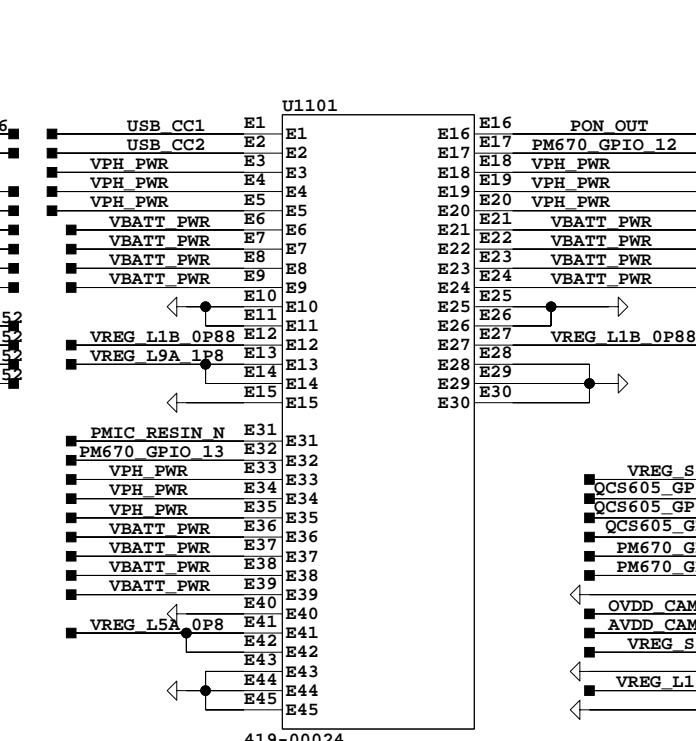
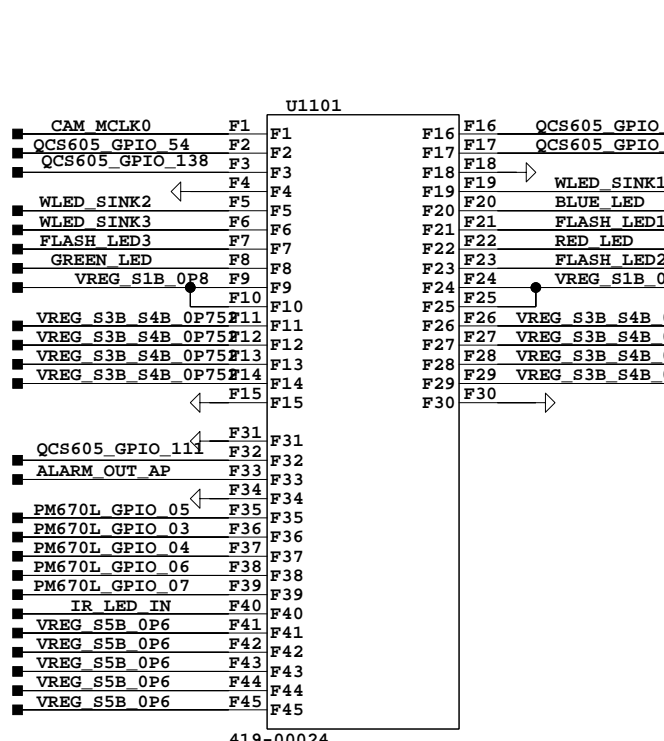
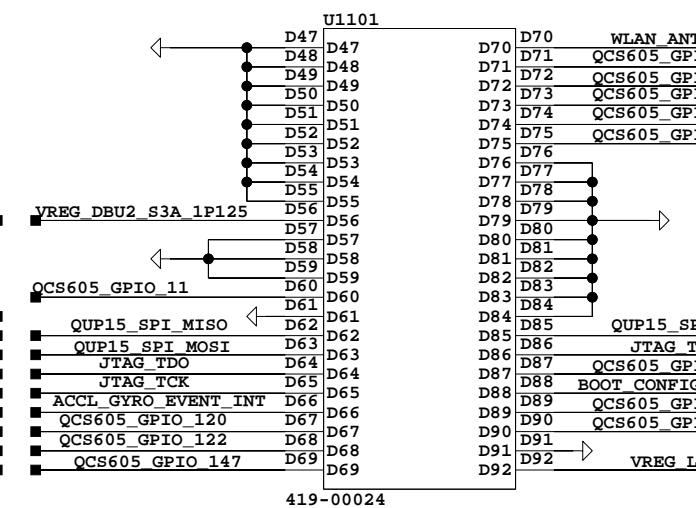
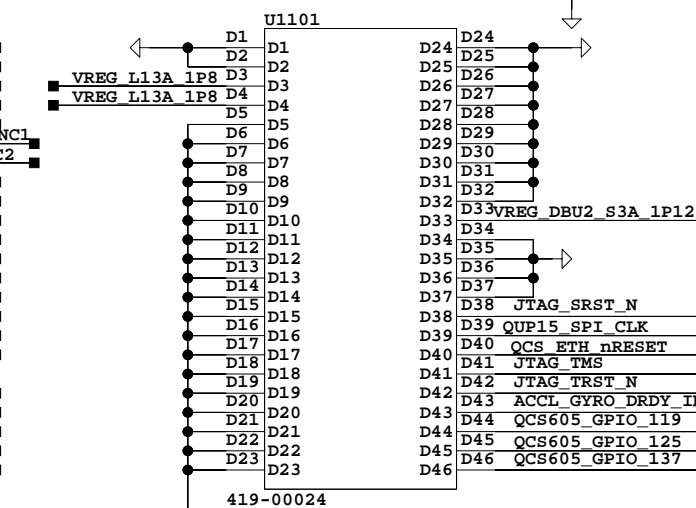
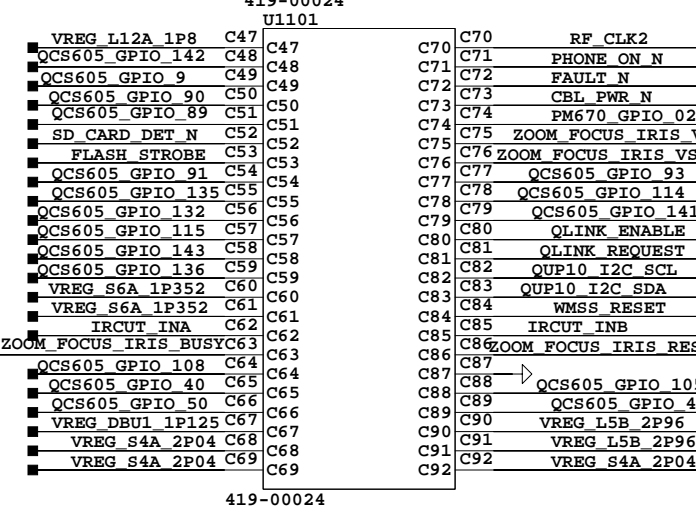
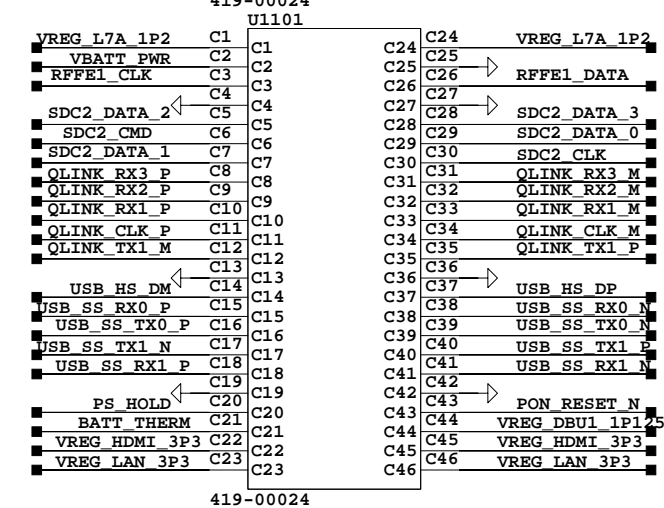
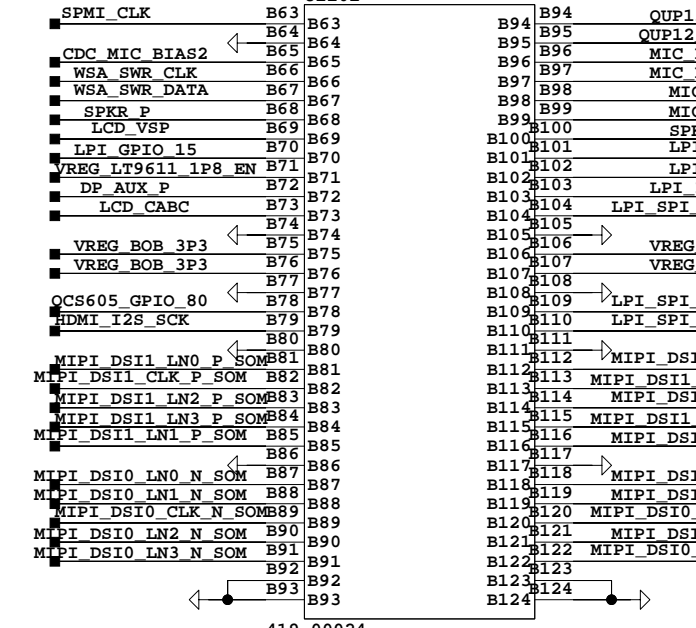
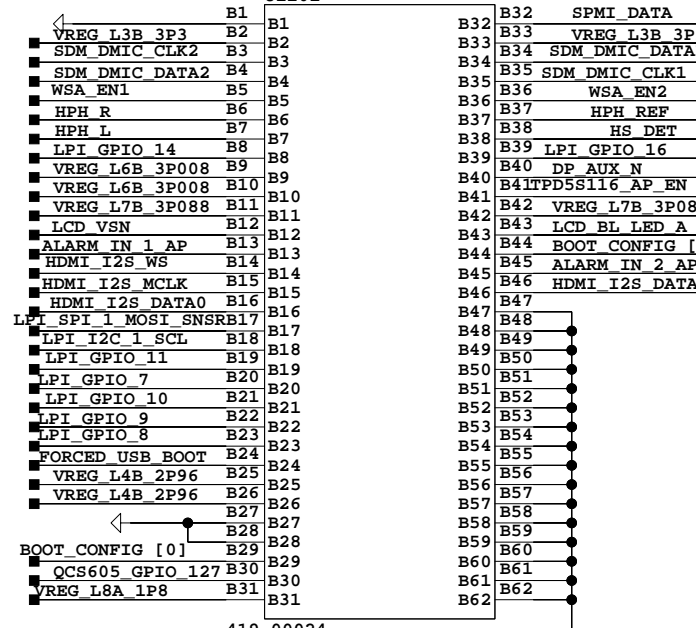
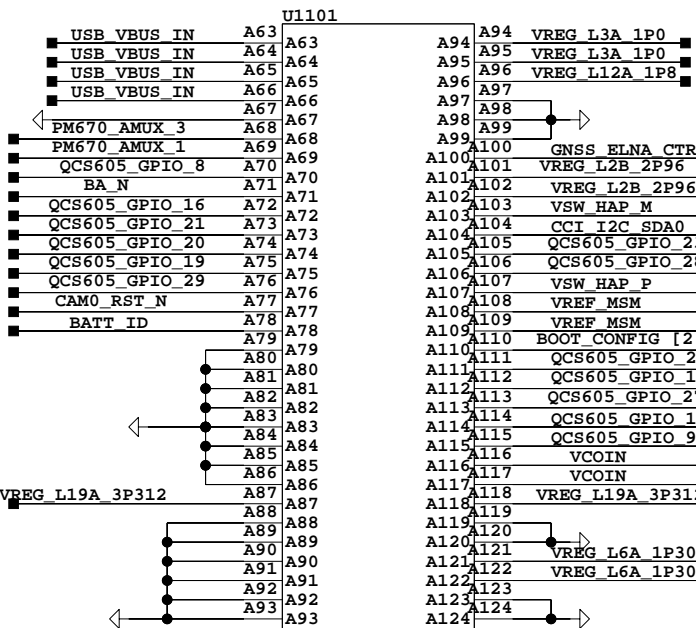
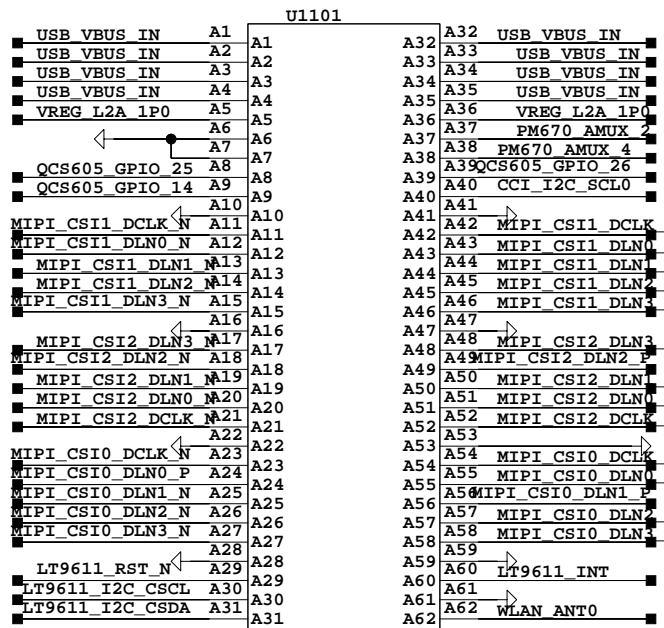
2

1

A

A

Bkav Corp			
Confidential			
Designer:	Drawing Title: K01_SUB		
Drawn by:	Page Title: 10 CONECTOR POE		
Approved:	Size B	Document Number	Rev
Sheet of 16		Date: 06/09/2021:18:20	



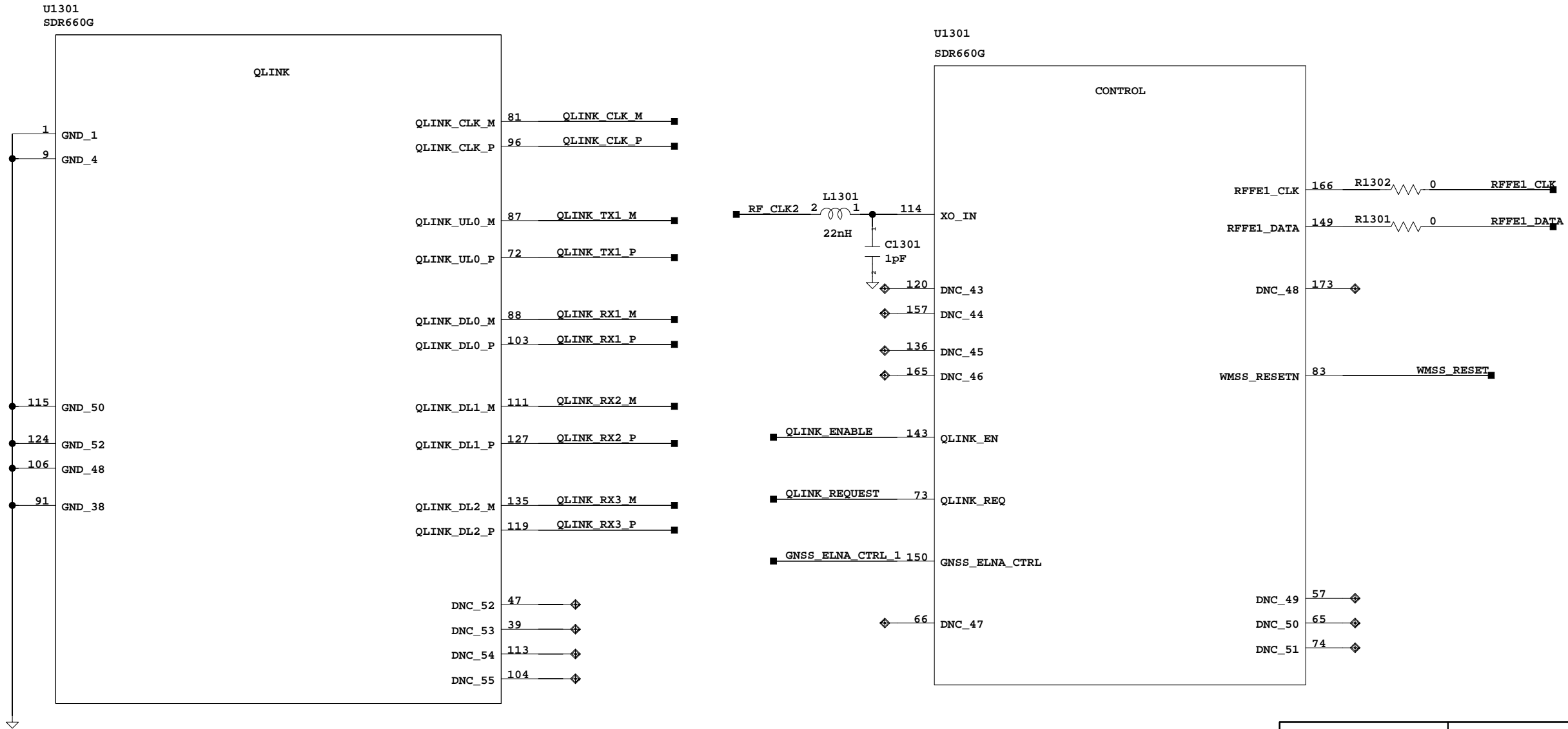
Bkav Corp

Confidential

Designer:	Drawing Title:
Drawn by:	Page Title: 11 CONNECTOR SOM TO CARRIER
Approved:	Size: B Document Number: Rev:

Sheet of 28 Date: 31/08/2021:17:03

GNSS: SDR660G CONTROL/QLINK



Bkav Corp			
Confidential			
Designer:	Drawing Title: K01_SOM		
Drawn by:	Page Title: 13 GNSS: SDR660G CONTROL/QLINK		
Approved:	Size	Document Number	Rev
	B		
Sheet of 30		Date: 01/09/2021:09:04	

GNSS : SDR660G PWR/GND

U1301
SDR660G

SDR660G

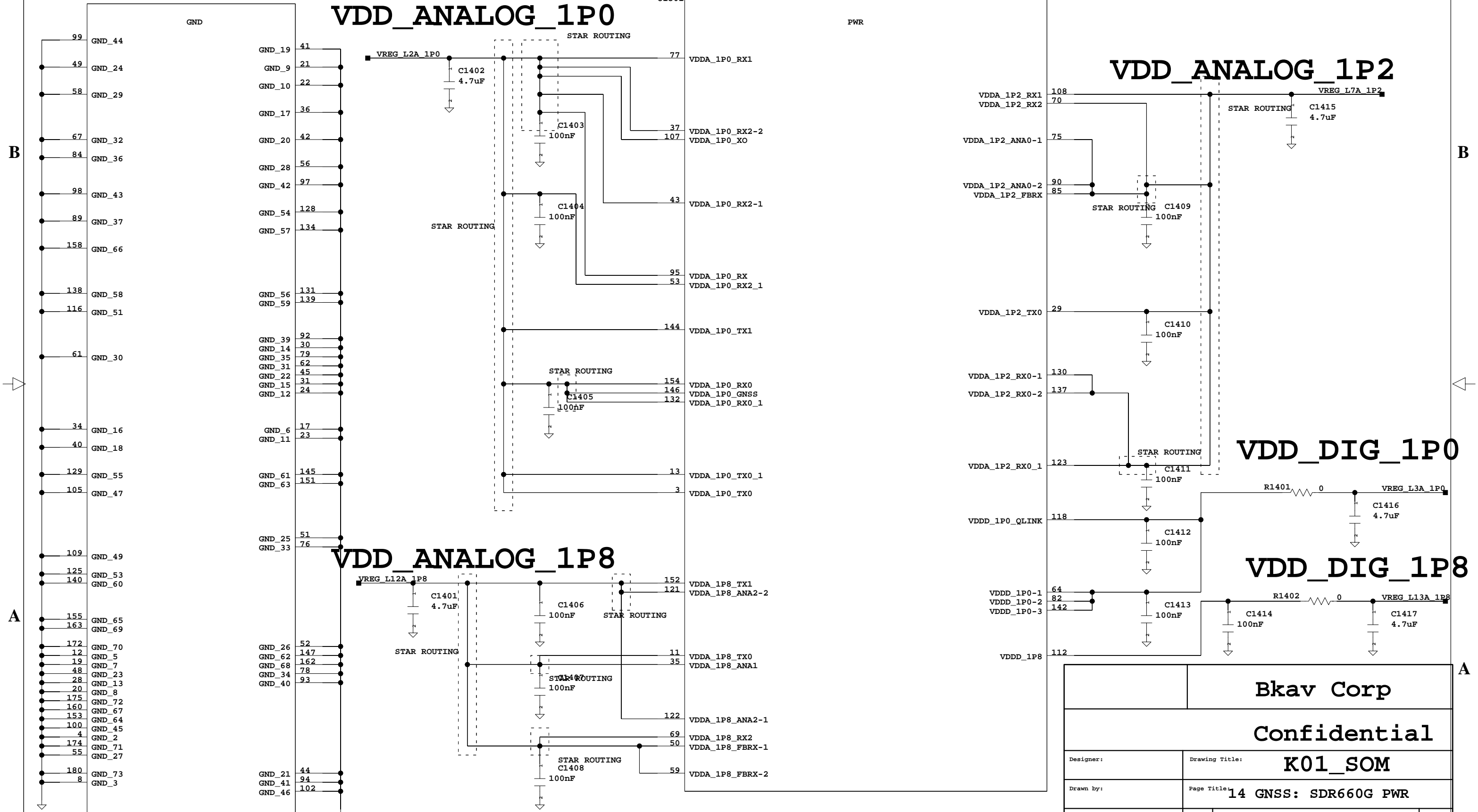
VDD_ANALOG_1P0

VDD_ANALOG_1P8

VDD_ANALOG_1P2

VDD_DIG_1P0

VDD_DIG_1P8



Bkav Corp			
Confidential			
Designer:	Drawing Title: K01_SOM		
Drawn by:	Page Title: 14 GNSS: SDR660G PWR		
Approved:	Size: B	Document Number:	Rev:
Sheet of 31		Date: 18/09/2021:11:57	

4

3

2

1

B

B

GNSS : SDR660G GNSS_IN

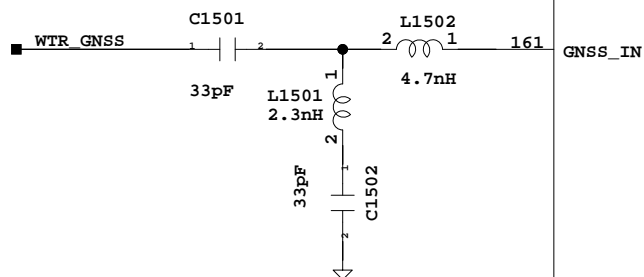
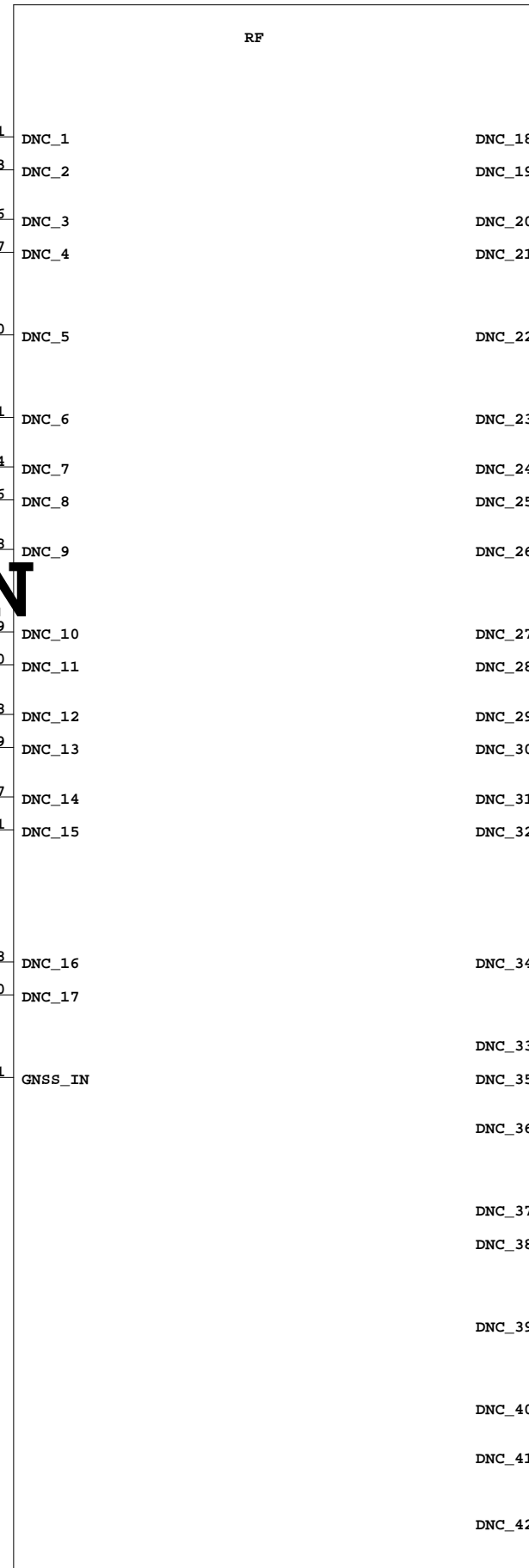
→

←

A

A

U1301
SDR660G



4

3

2

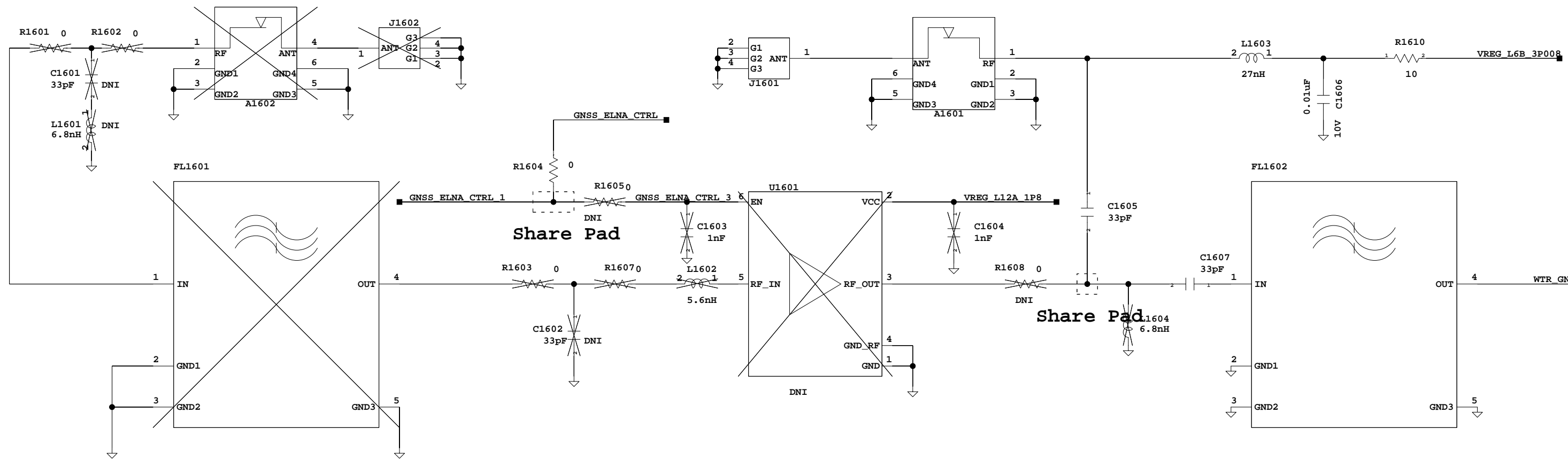
1

		Bkav Corp	
Confidential			
Designer:		Drawing Title: K01_SOM	
Drawn by:		Page Title: 15 GNSS: SDR660G GNSS_IN	
Approved:		Size: B	Document Number
		Sheet of 32	Date: 01/09/2021:09:04

GNSS: LNA RFFE

GNSS Passive Antenna

GNSS Active Antenna



Bkav Corp			
Confidential			
Designer:	Drawing Title: K01_SOM		
Drawn by:	Page Title: 16 GNSS: LNA RFFE		
Approved:	Size	Document Number	Rev
	B		
Sheet of 33		Date: 01/09/2021:09:04	

4

3

2

1

1

B

B

A

A

	Bkav Corp		
Confidential			
Designer:	Drawing Title: K01_SUB		
Drawn by:	Page Title: 17 2:1 DSI SWITCH		
Approved:	Size B	Document Number	Rev
Sheet of 17		Date: 23/08/2021:14:37	

4

3

2

1

1

4

3

↓

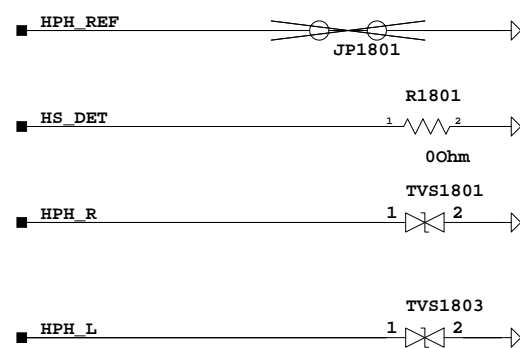
2

1

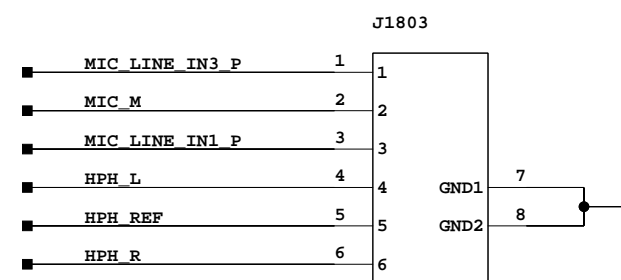
B

B

LINE OUT

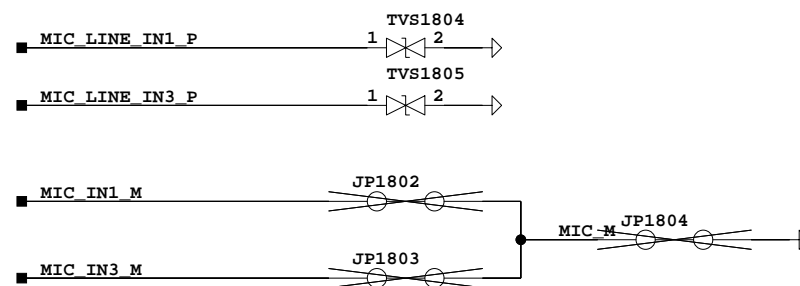


31/08/2021: DinhLK bo TVS2802 011-00002



31/08/2021: DinhLK them J1803 402-00082

LINE IN



▷

▷

A

A

Bkav Corp			
Confidential			
Designer:	Drawing Title: K01_SUB		
Drawn by:	Page Title: 17 TEST POINT		
Approved:	Size B	Document Number	Rev
Sheet of 17		Date: 31/08/2021:16:22	

4

3

↑

2

1

4

3

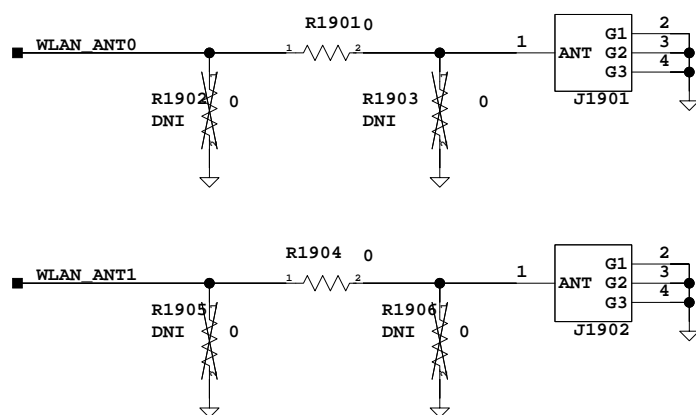
2

1

1

B

B



A

A

A

A

4

3

2

1

1

Bkav Corp	
Confidential	
Designer:	Drawing Title: K01_SUB
Drawn by:	Page Title: 19 WLAN ANT CONNECTOR
Approved:	Size: B Document Number: Rev:
Sheet of 19 Date: 06/11/2020:16:10	

4

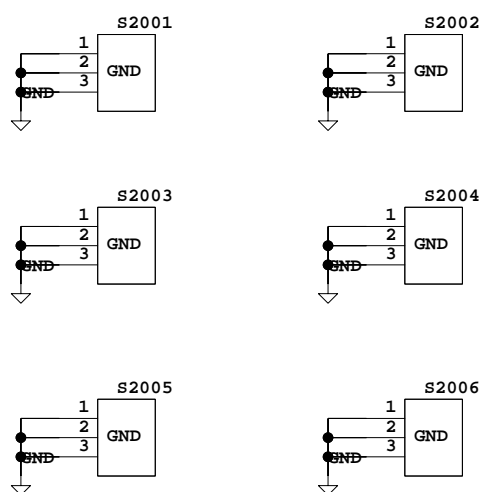
3

2

1

B

B



A

A

A

A

4

3

2

1

		Bkav Corp	
Confidential			
Designer:		Drawing Title: K01_SUB	
Drawn by:		Page Title: 20 shield	
Approved:		Size B	Document Number
		Sheet of 20	Date: 17/11/2020:10:30

Rev

4

3

2

1

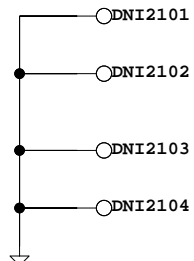
1

B

B

A

A



		Bkav Corp	
Confidential			
Designer:	Drawing Title: K01_SUB		
Drawn by:	Page Title: 21 Marking PCB		
Approved:	Size B	Document Number	Rev
Sheet of 21		Date: 25/11/2020:09:30	

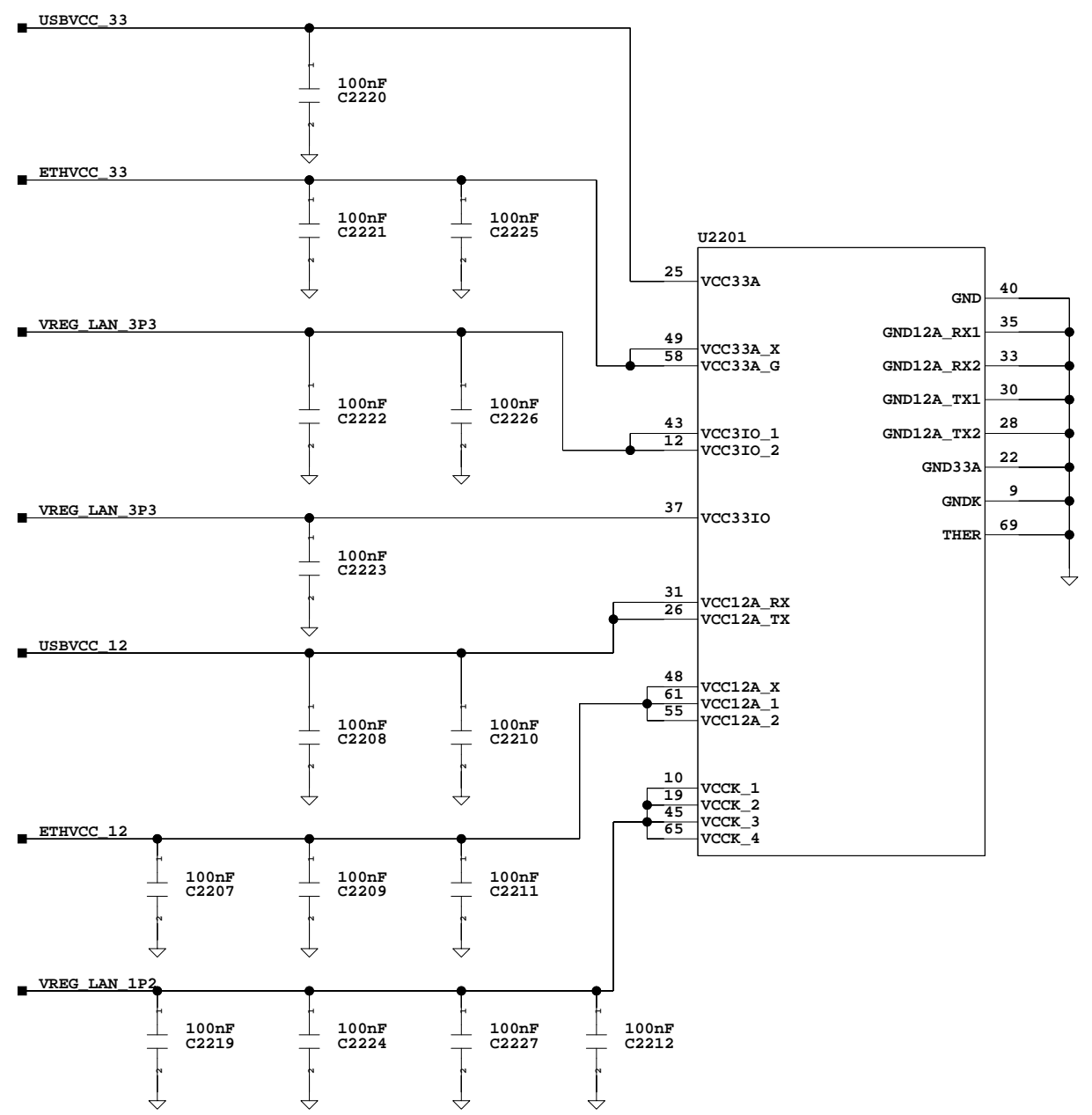
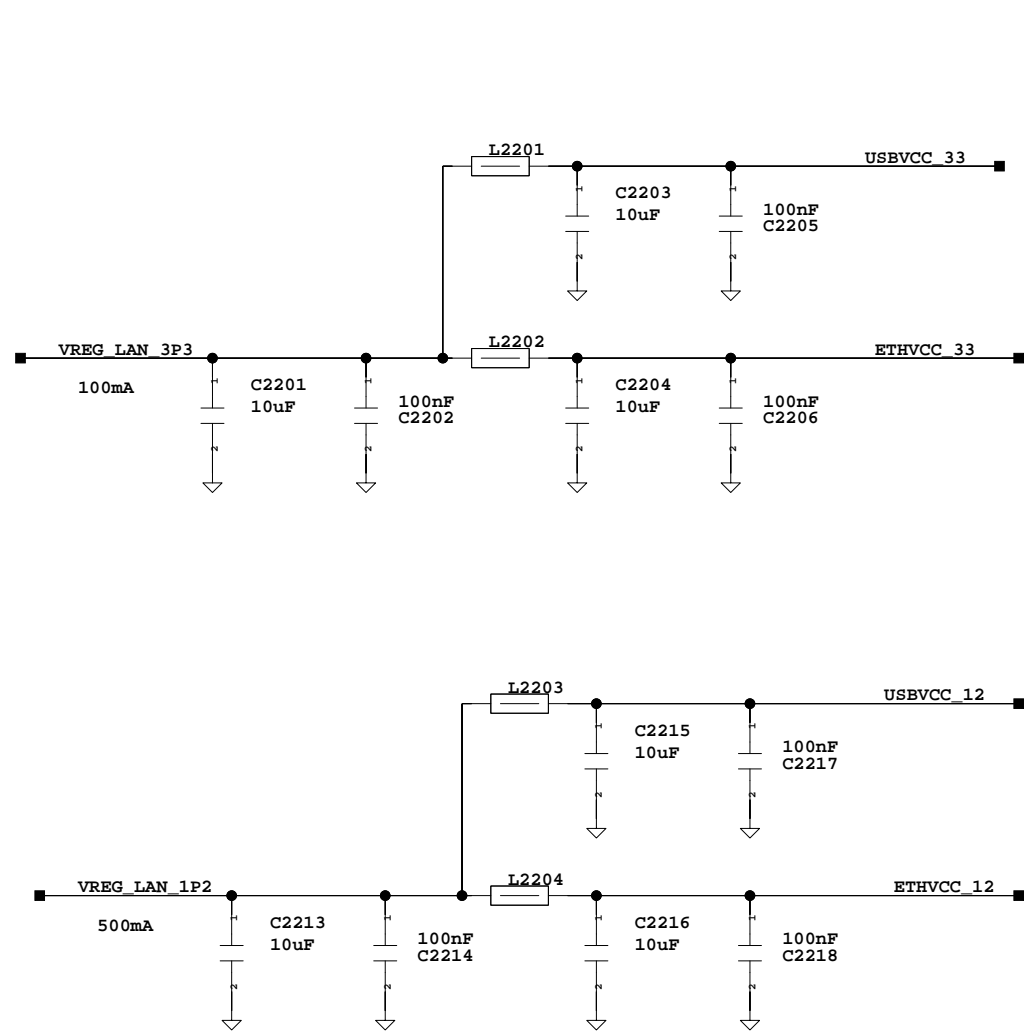
4

3

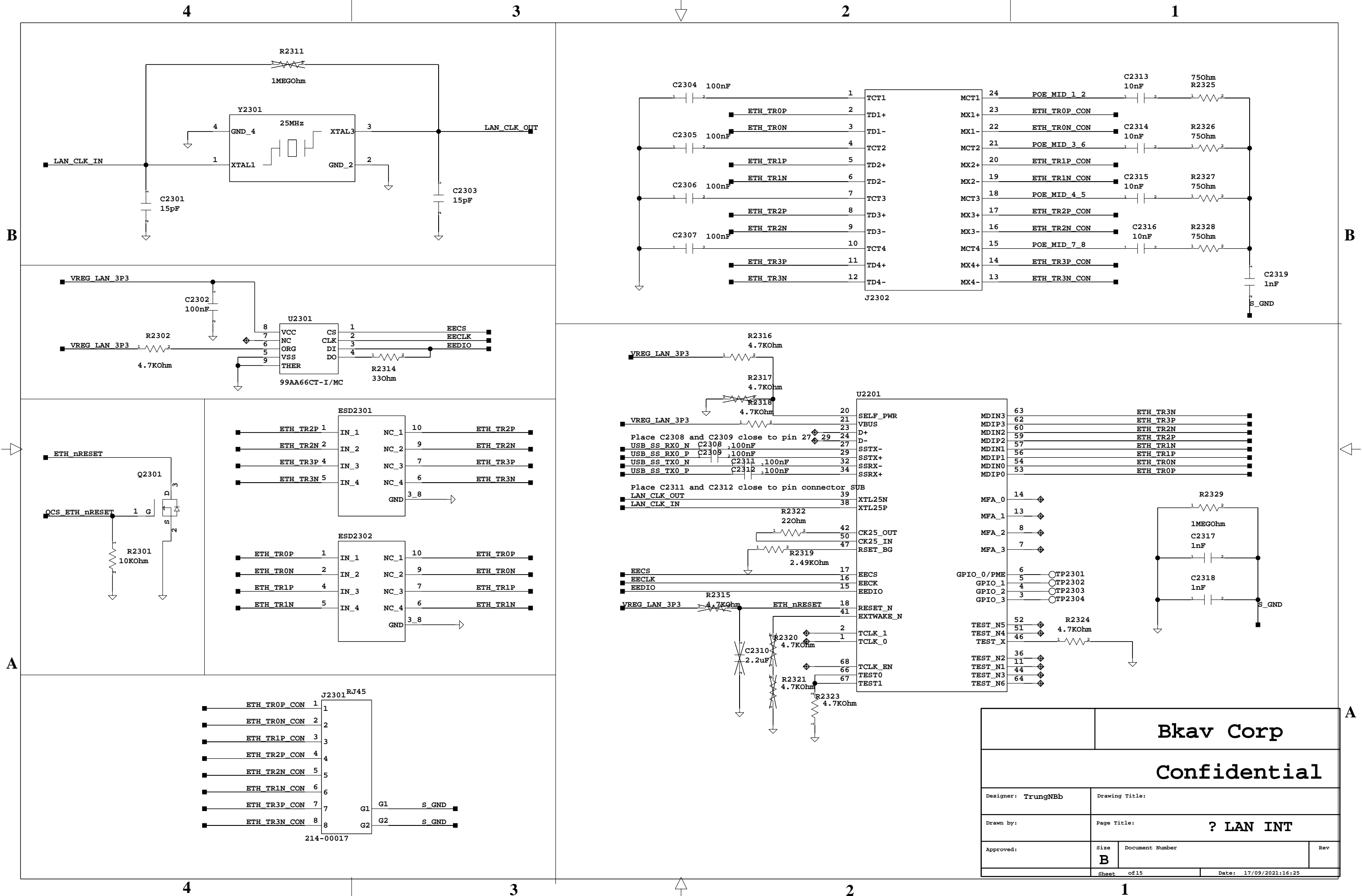
2

1

1



Bkav Corp			
Confidential			
Designer:	Drawing Title:		
TrungNBb			
Drawn by:	Page Title:		
	08 LAN PWD		
Approved:	Size	Document Number	Rev
	B		
Sheet		of 16	Date: 17/09/2021:16:16



Bkav Corp

Confidential

Designer: TrungNBb	Drawing Title:		
Drawn by:	Page Title: ? LAN INT		
Approved:	Size: B	Document Number:	Rev:
Sheet of 15		Date: 17/09/2021:16:25	