

4

3

2

1

DATE RELEASE	VERSION	DESCRIPTIONS
12/05/2021	PCB-K01-SUB-V1.0.1	PP1

B

B

A

A

Confidential			
Designer:	Drawing Title: K01_SUB		
Drawn by:	Page Title: 01 REVISION		
Approved:	Size B	Document Number	Rev
Sheet 1 of 21		Date: 12/05/2021:15:55	

4

3

2

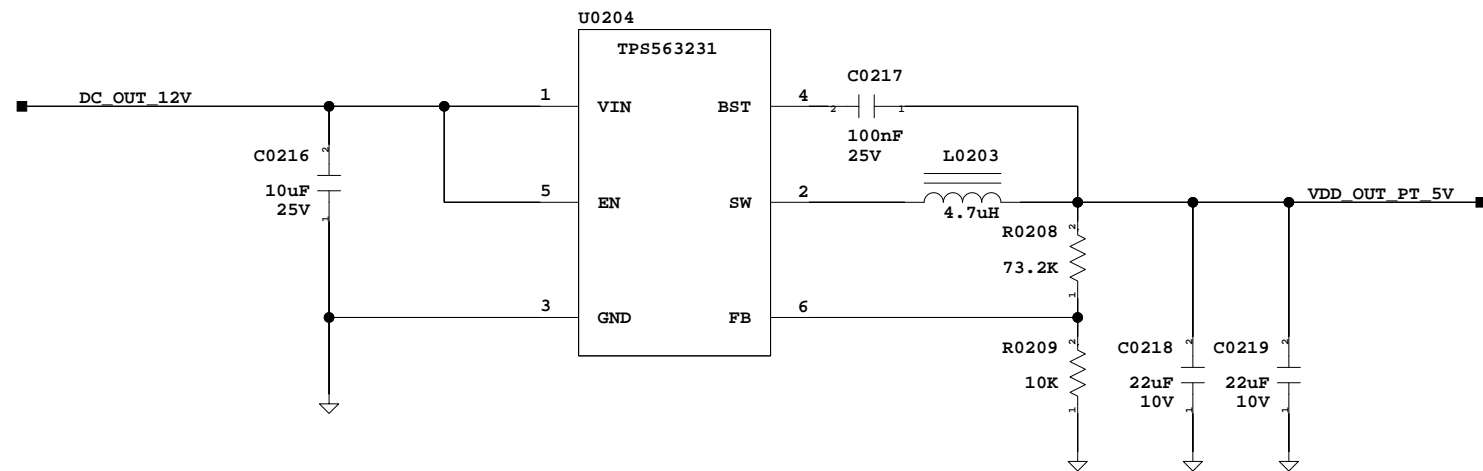
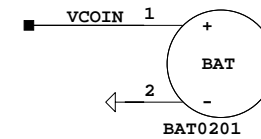
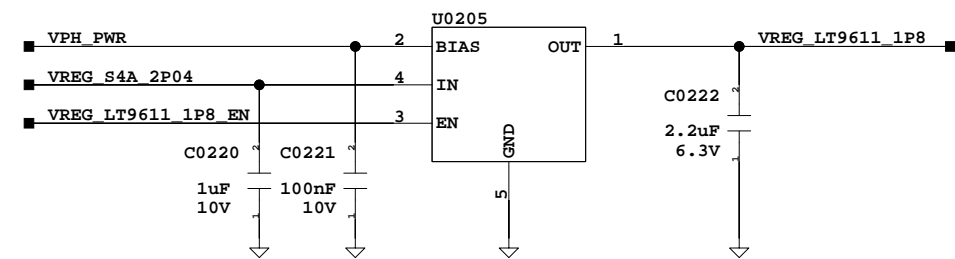
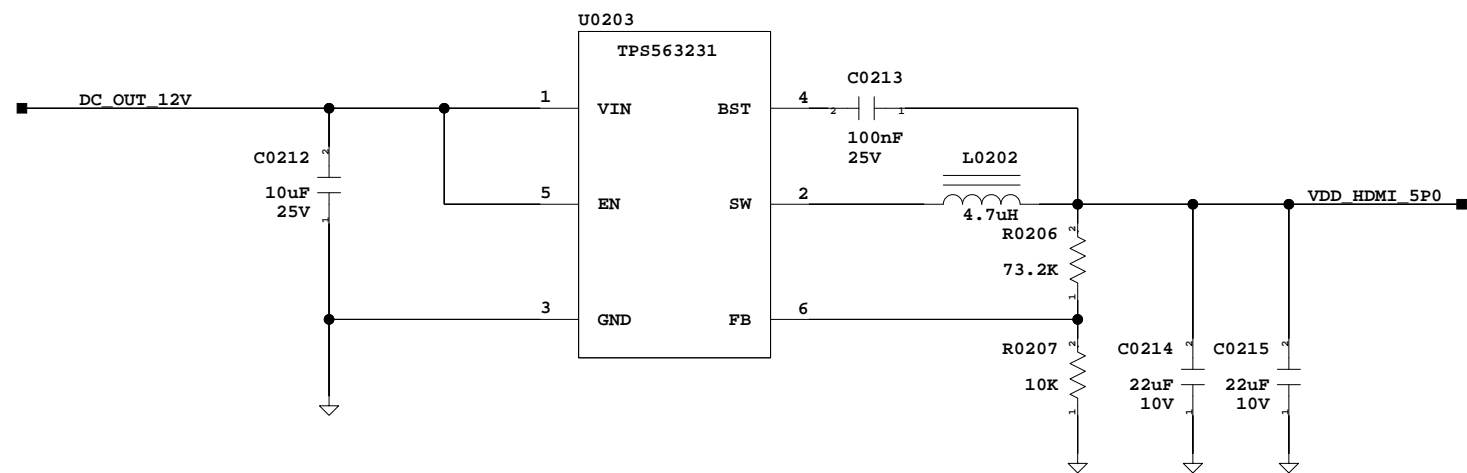
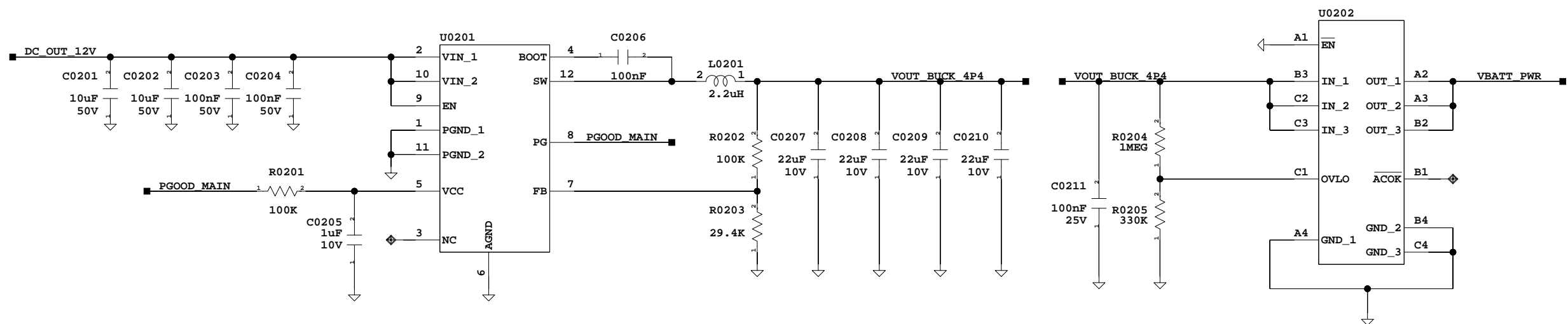
1

4

3

2

1



Confidential			
Designer:		Drawing Title: K01_SUB	
Drawn by:		Page Title: 02 POWER SUPPLY	
Approved:	Size: B	Document Number:	Rev:
Sheet 2 of 21		Date: 12/05/2021:15:55	

4

3

2

1

4

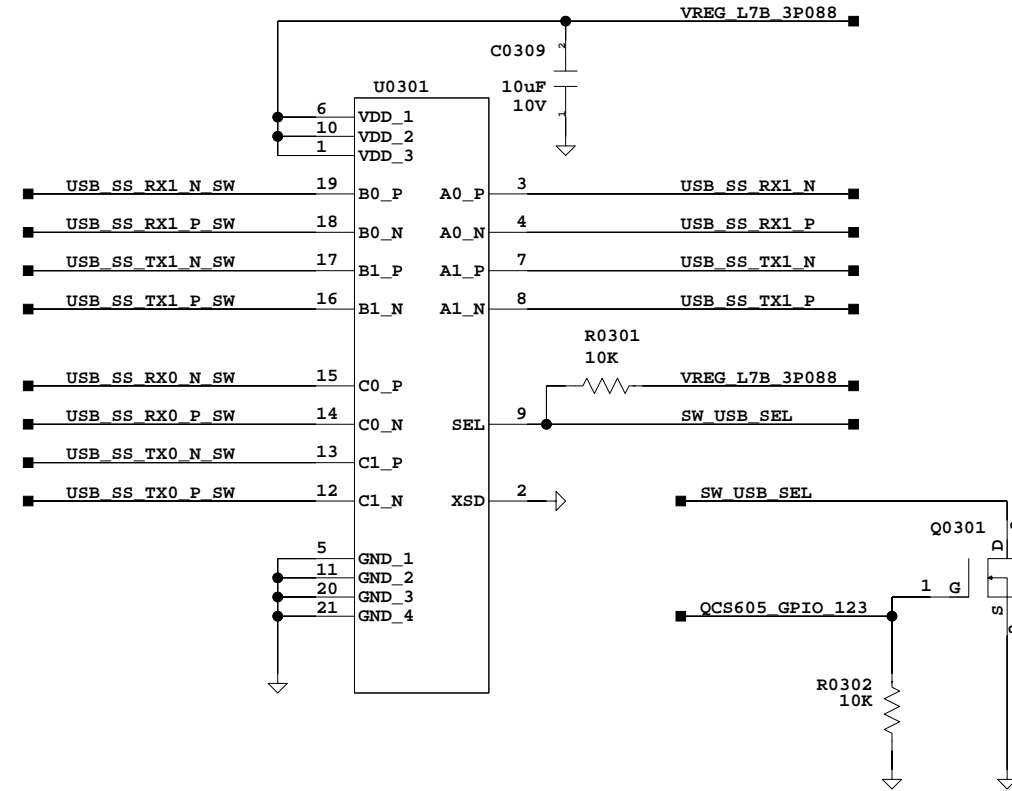
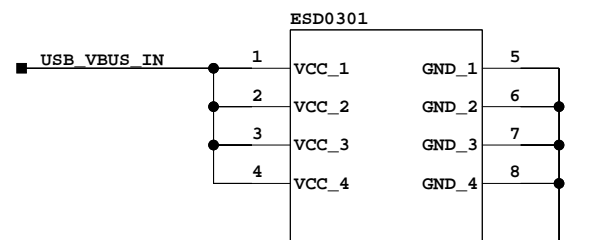
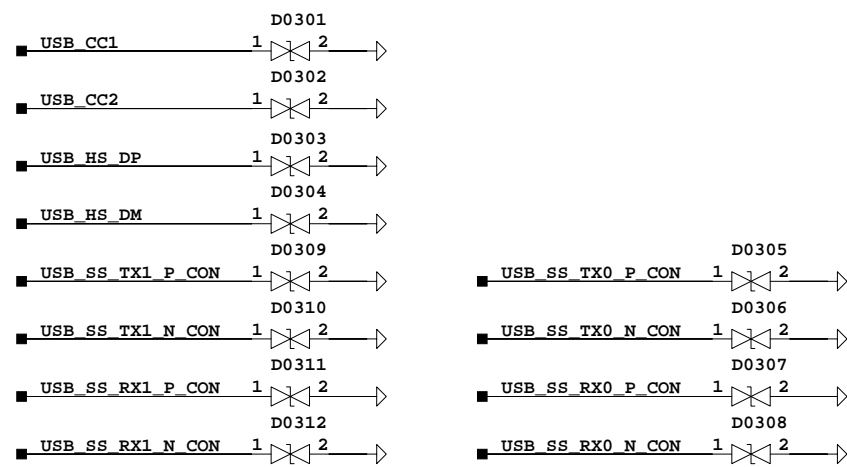
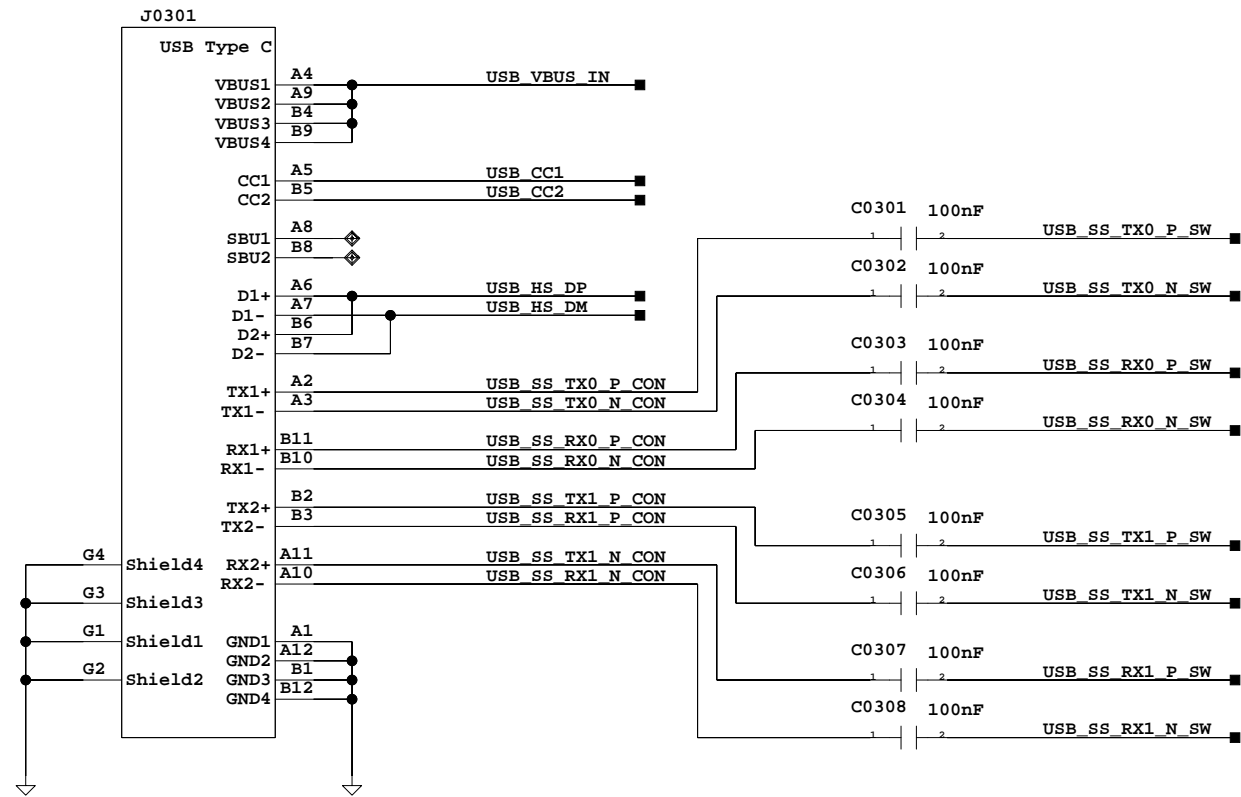
3

2

1

B

B



A

A

Confidential			
Designer:		Drawing Title: K01_SUB	
Drawn by:		Page Title: 03 USB Type C	
Approved:	Size: B	Document Number:	Rev:
Sheet 3 of 21		Date: 12/05/2021:15:55	

4

3

2

1

4

3

2

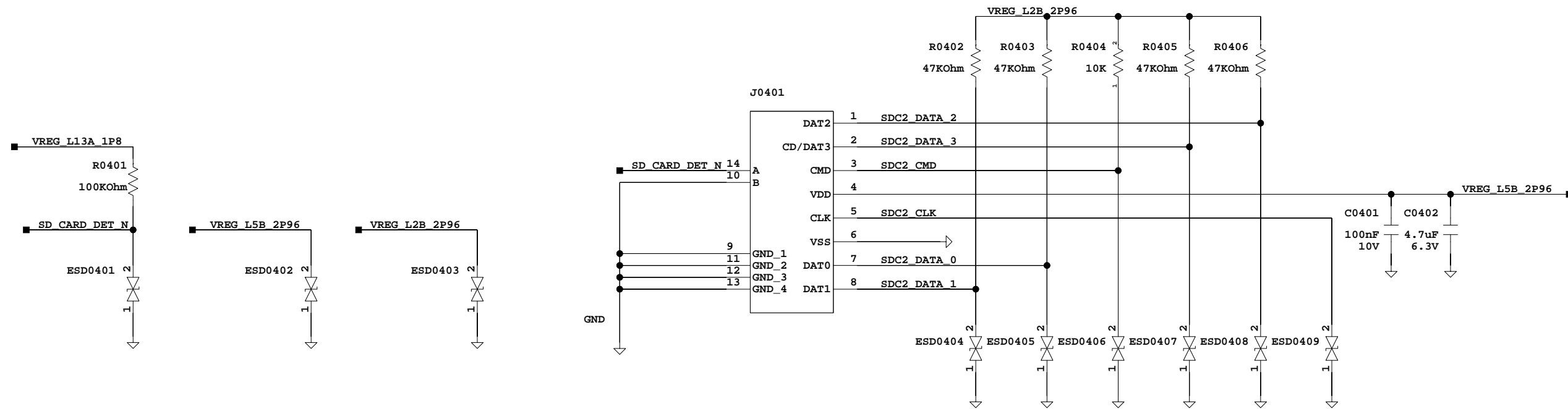
1

B

B

A

A



4

3

2

1

Confidential			
Designer:		Drawing Title: K01_SUB	
Drawn by:		Page Title: 04 SD CARD	
Approved:		Size: B	Document Number: _____
		Rev: _____	
Sheet 4 of 21		Date: 12/05/2021:15:55	

4

3

2

1

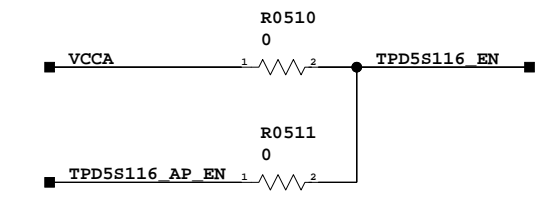
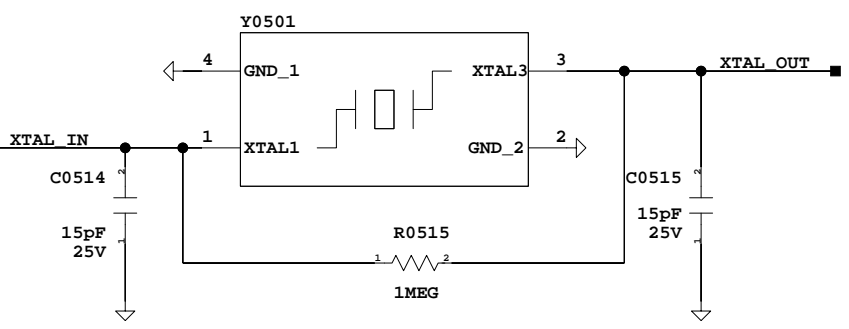
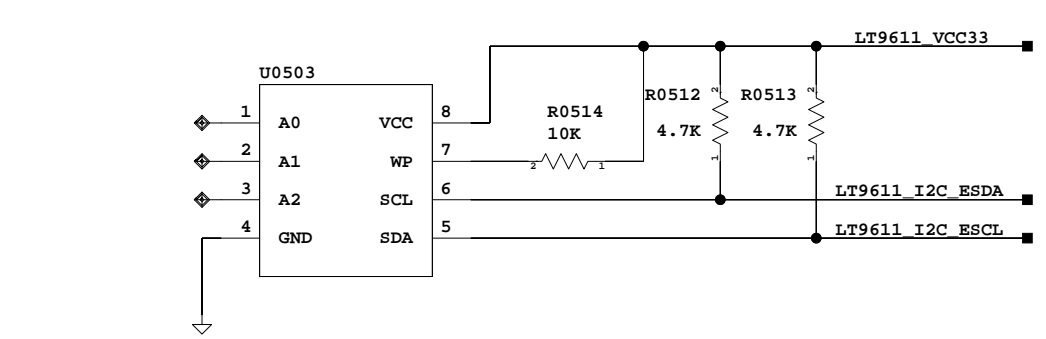
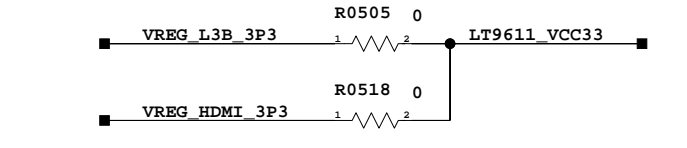
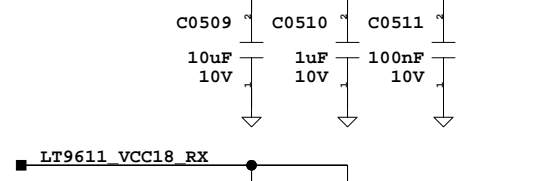
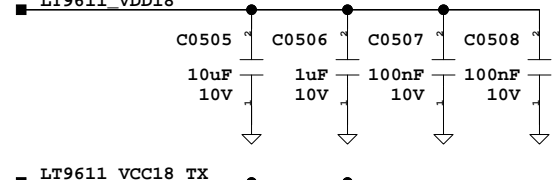
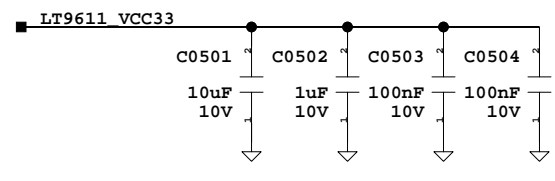
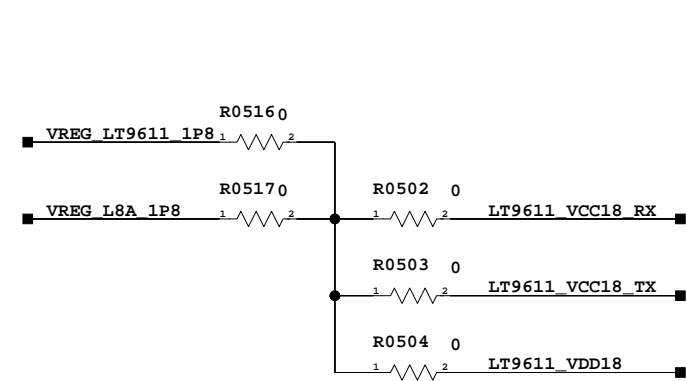
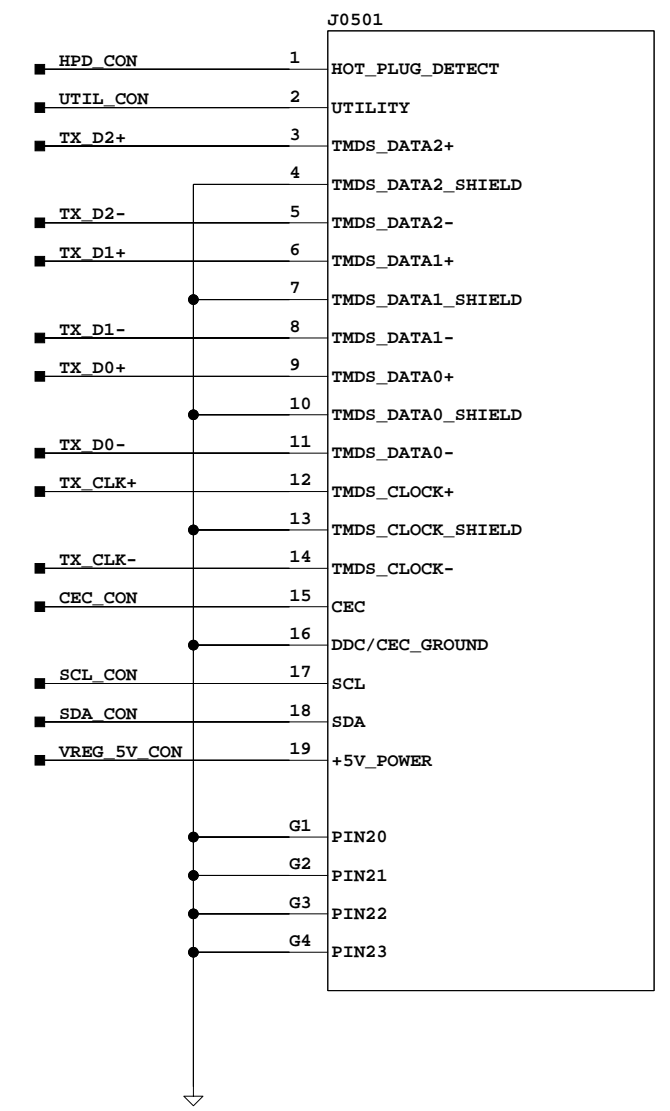
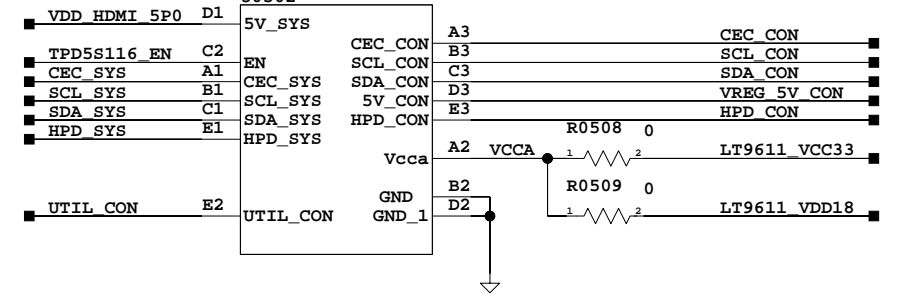
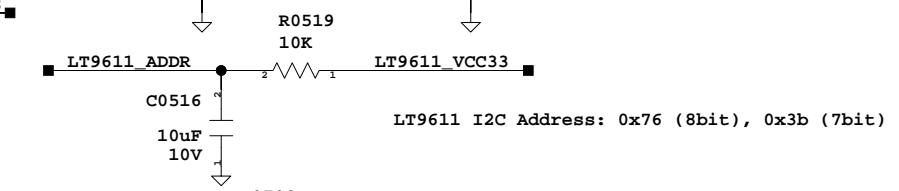
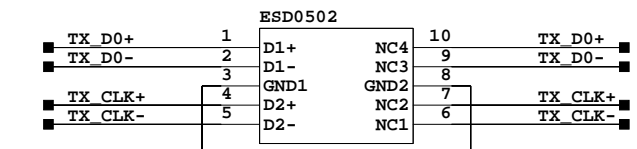
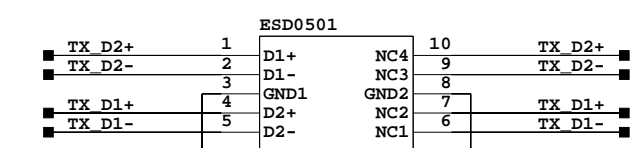
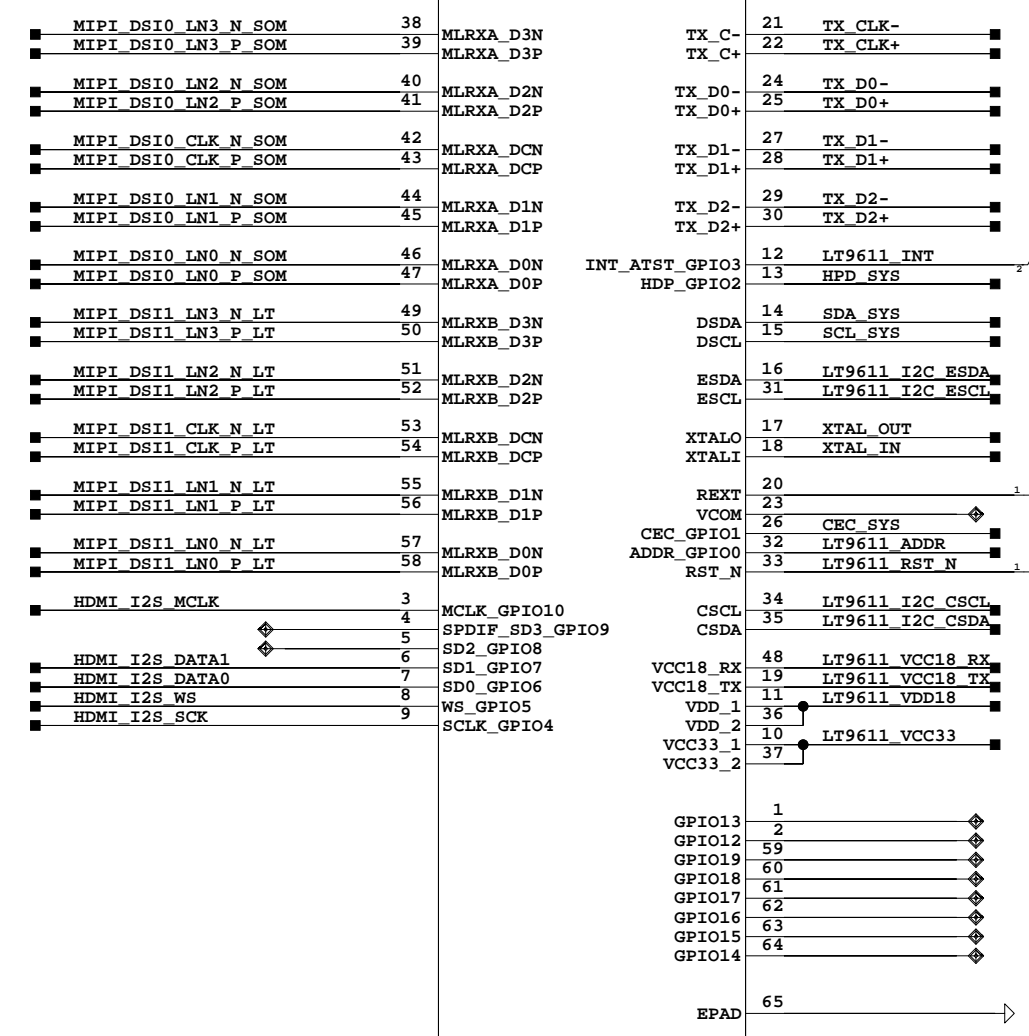
B

B

A

A

U0501



Confidential			
Designer:	Drawing Title: K01_SUB		
Drawn by:	Page Title: 05 MIPI - uHDMI		
Approved:	Size: B	Document Number:	Rev:
Sheet 5 of 21		Date: 12/05/2021:15:55	

4

3

2

1

4

3

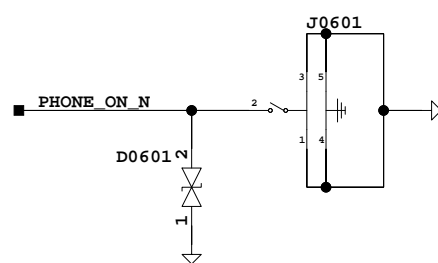
2

1

1

B

B



A

A

Confidential			
Designer:	Drawing Title: K01_SUB		
Drawn by:	Page Title: 06 BUTTON		
Approved:	Size B	Document Number	Rev
Sheet 6 of 21		Date: 12/05/2021:15:54	

4

3

2

1

1

4

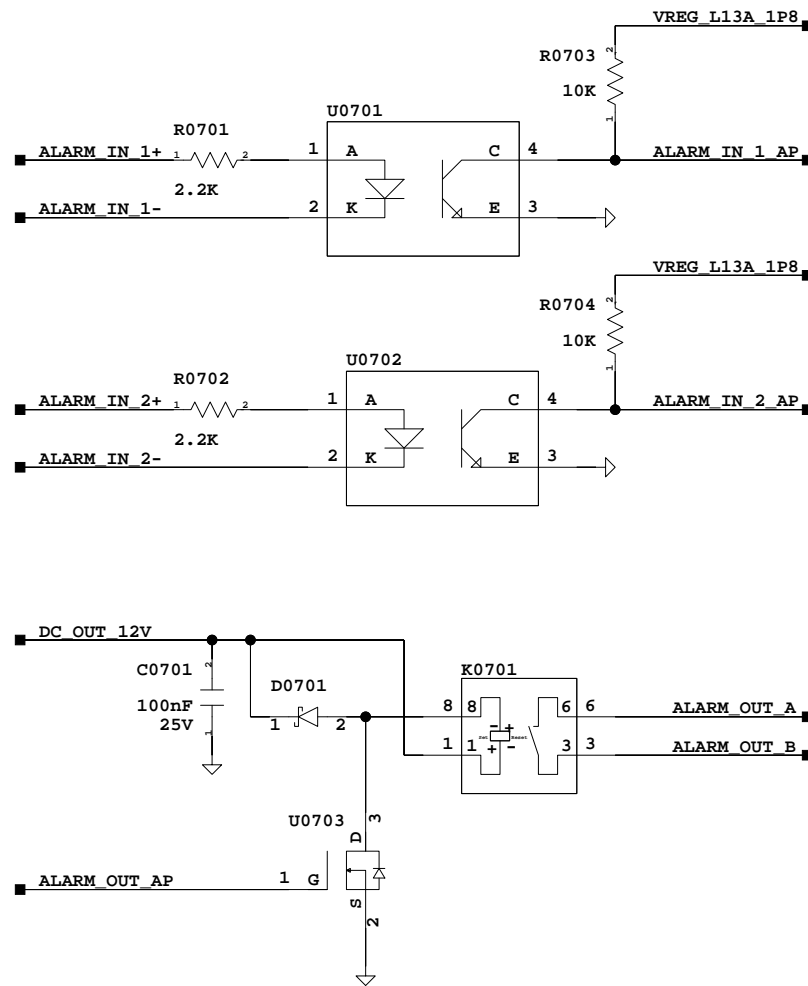
3

2

1

B

B



A

A

Confidential			
Designer:		Drawing Title: K01_SUB	
Drawn by:		Page Title: 07 ALARM I/O	
Approved:		Size: B	Document Number
		Sheet 7 of 21	Date: 12/05/2021:15:54

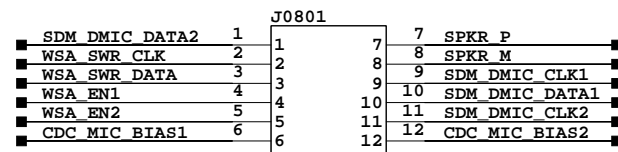
4

3

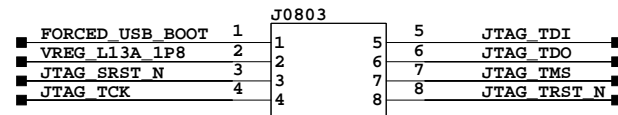
2

1

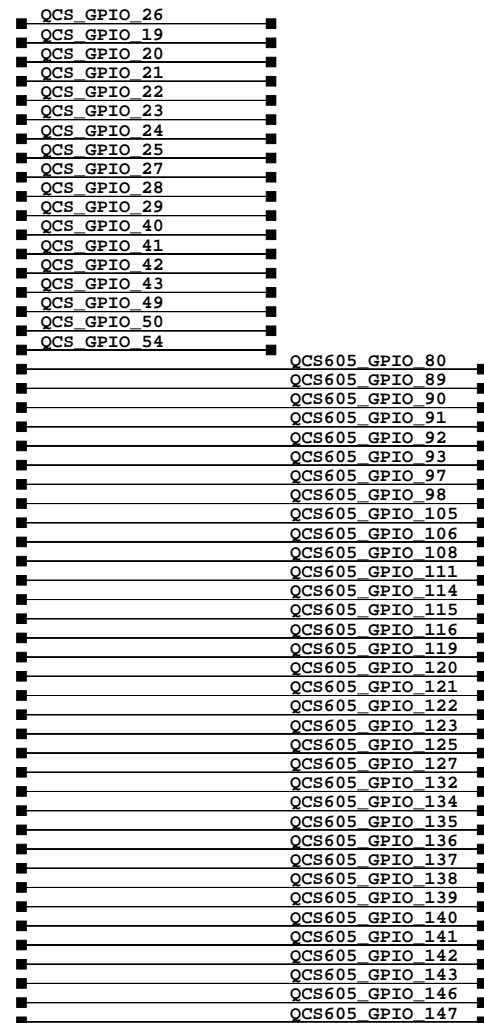
AUDIO



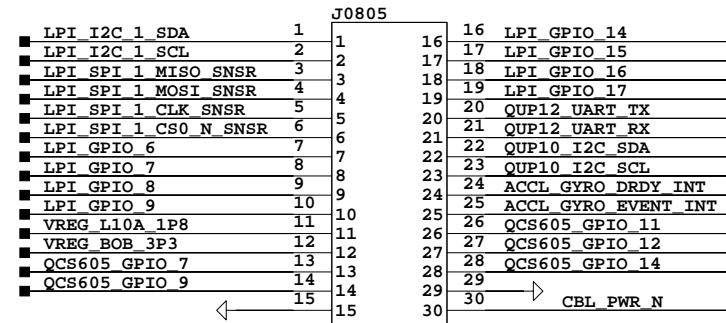
JTAG



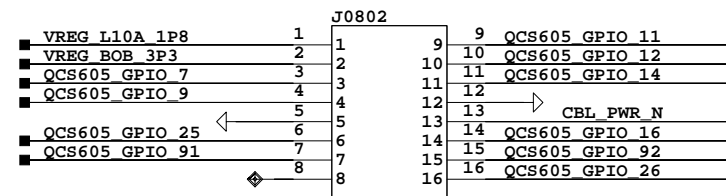
GPIO



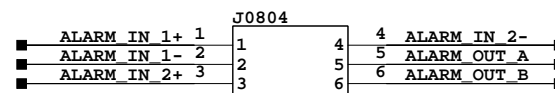
LPI-GPIO



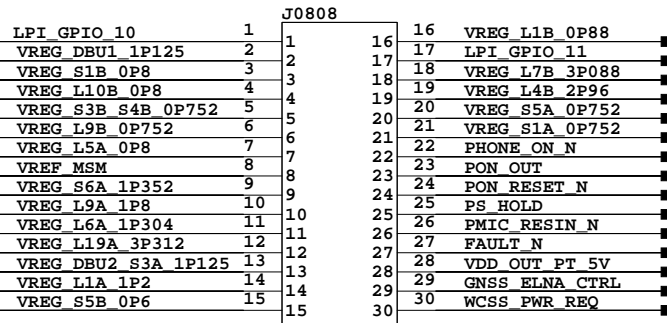
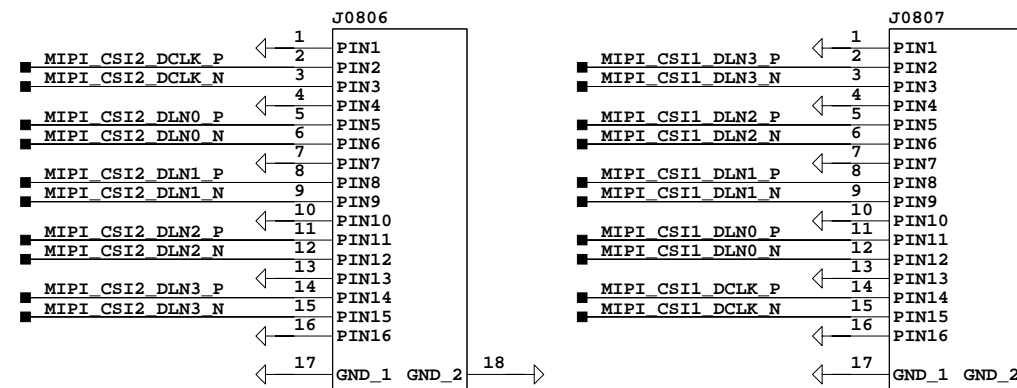
GPIO



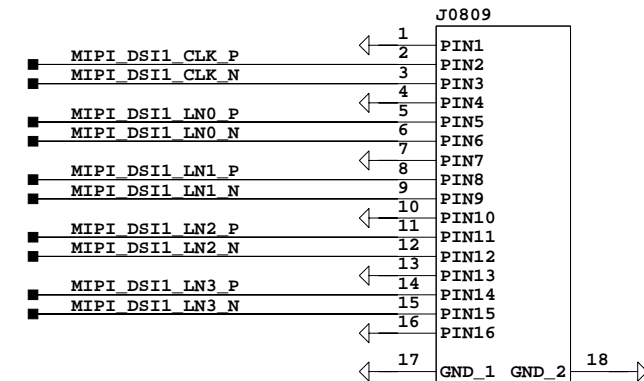
ALARM I/O



CAMERA

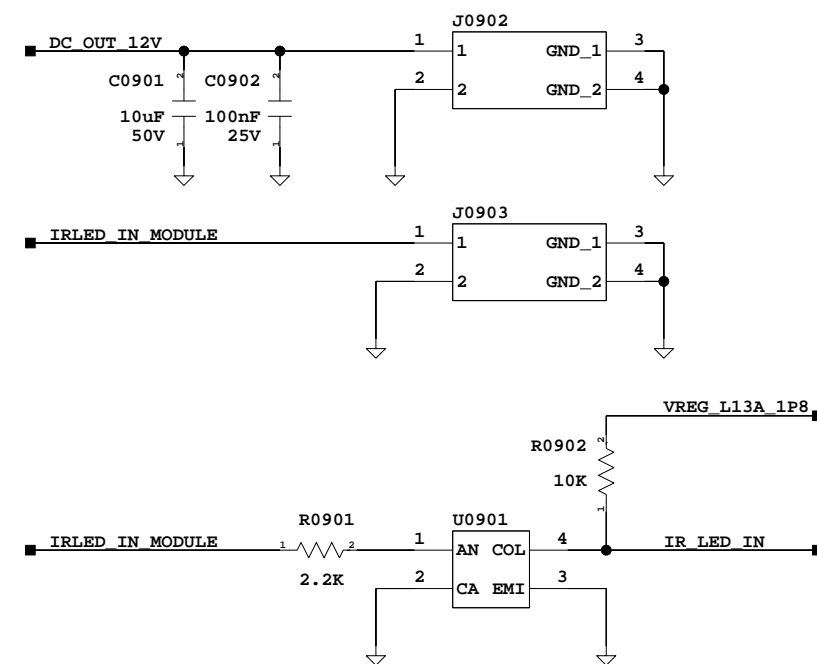
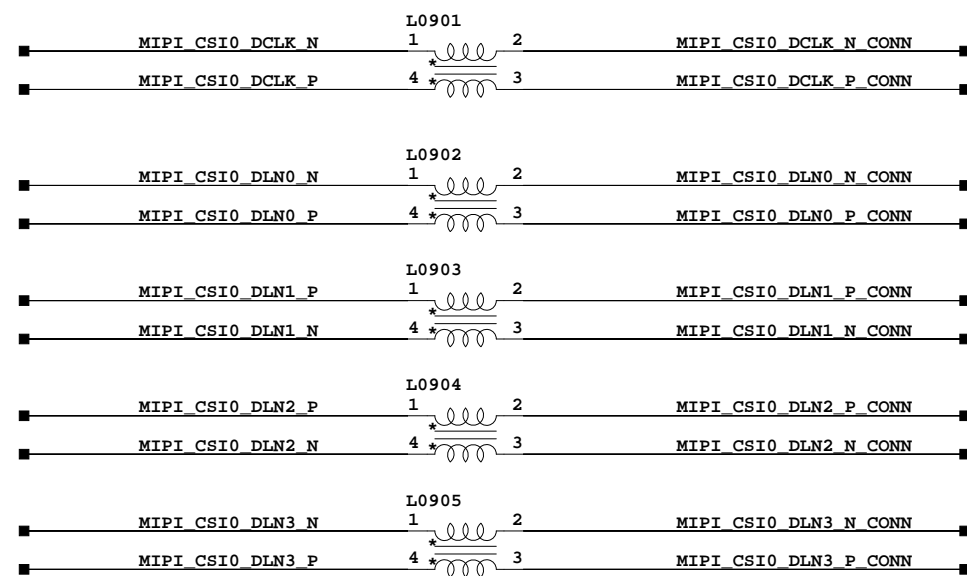
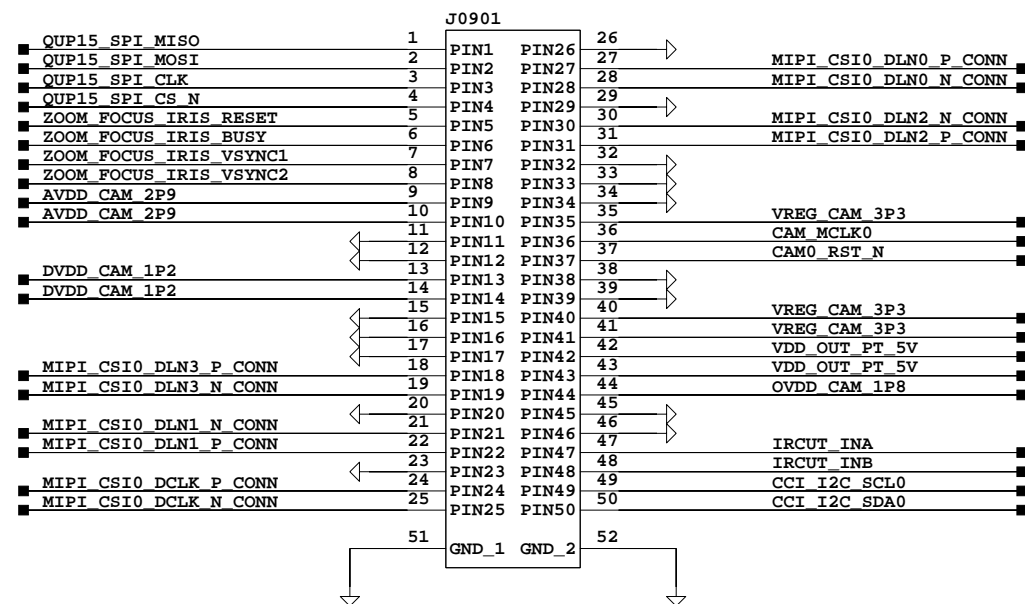


DSI



Confidential

Designer:	Drawing Title: K01_SUB		
Drawn by:	Page Title: 08 EXPANSION HEADER		
Approved:	Size: B	Document Number:	Rev:
Sheet 8 of 21		Date: 12/05/2021:15:54	



Confidential			
Designer:		Drawing Title: K01_SUB	
Drawn by:		Page Title: 09 CONNECTOR IMAGE SENSOR	
Approved:	Size B	Document Number	Rev
Sheet 9 of 21		Date: 12/05/2021:15:54	

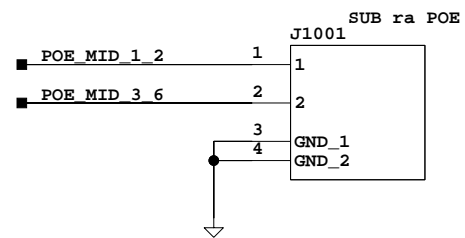
4

3

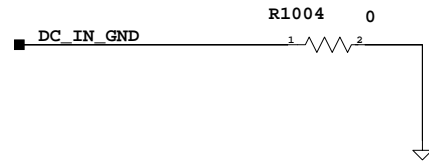
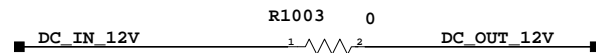
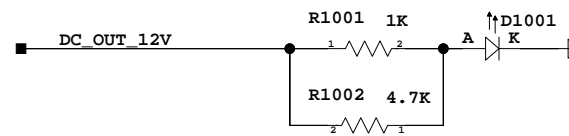
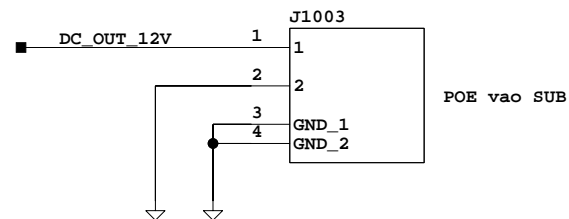
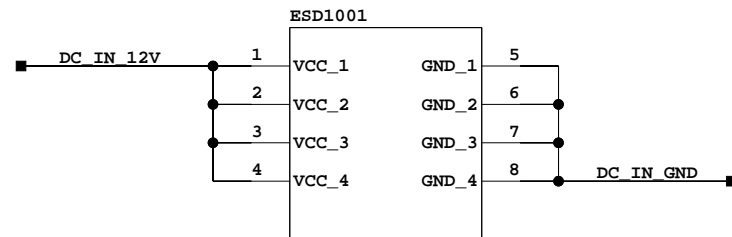
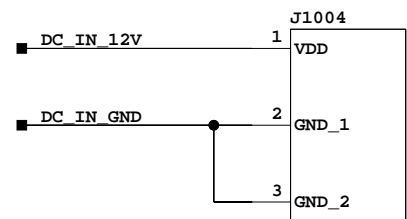
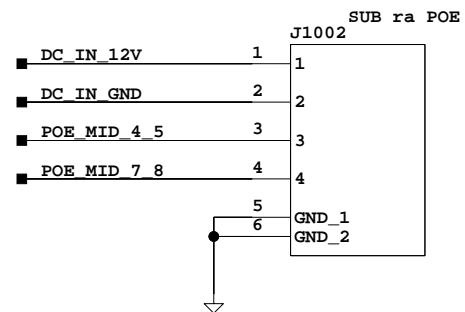
2

1

co the doi chan neu bi cheo



chan 3, 4 co the doi cho cho nhau



B

B

A

A

A

A

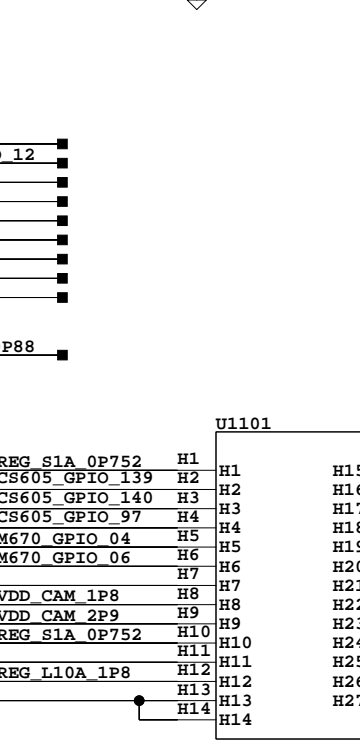
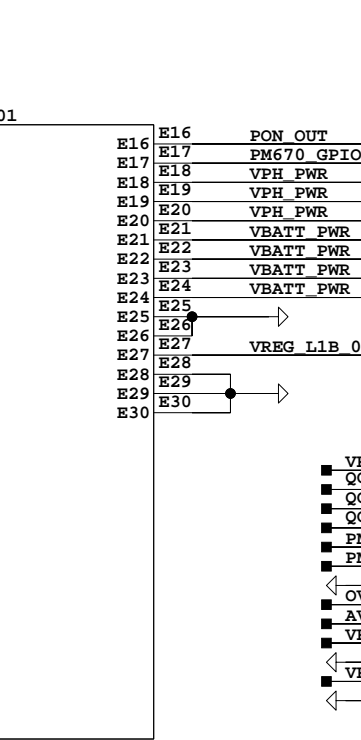
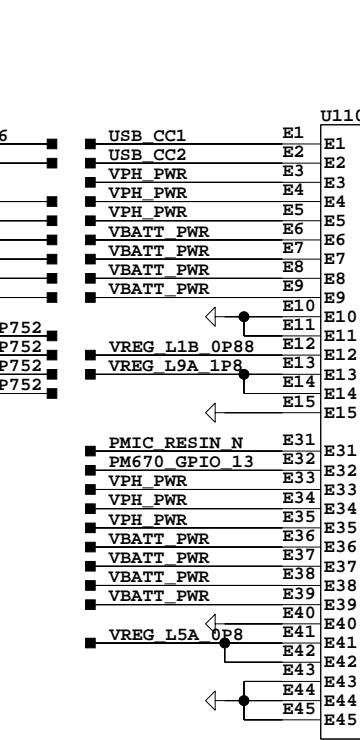
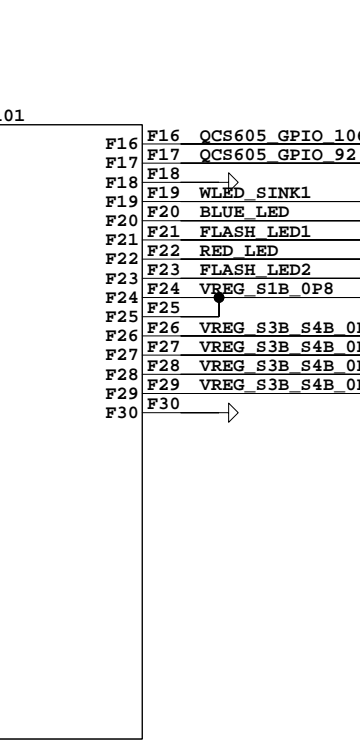
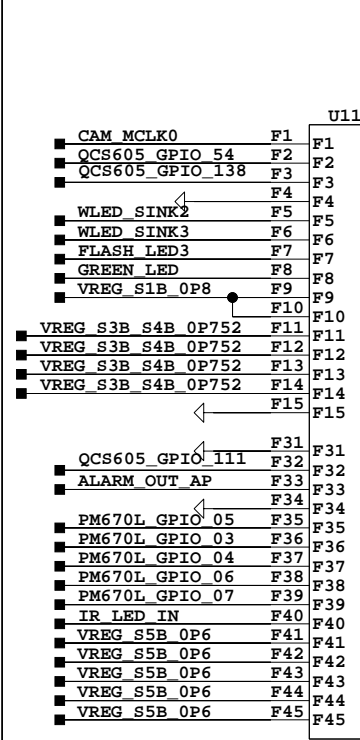
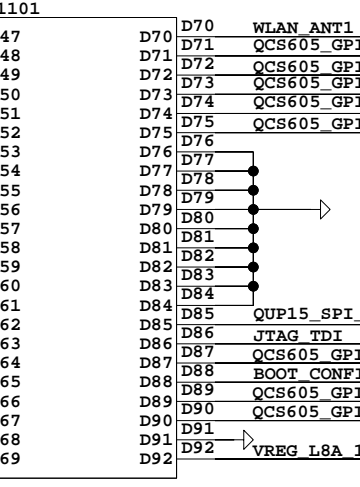
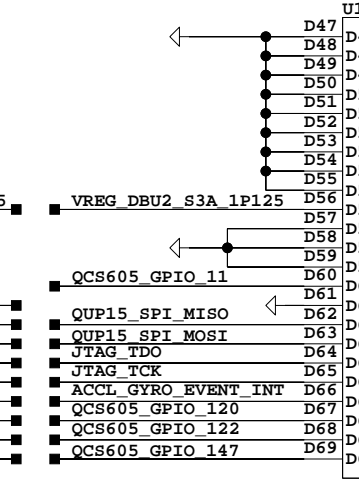
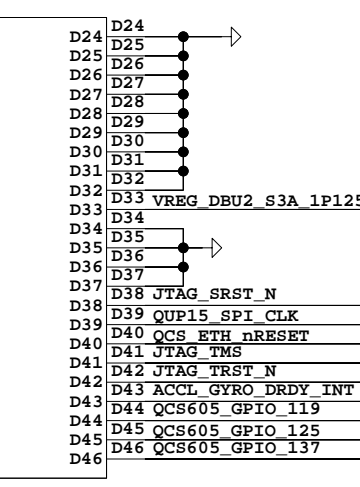
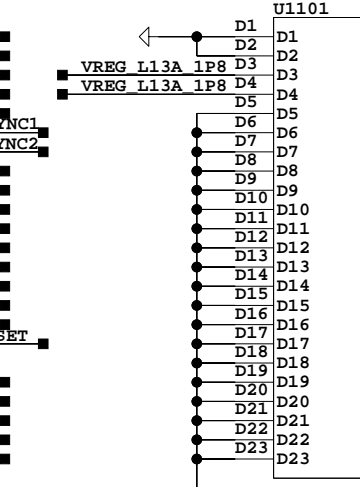
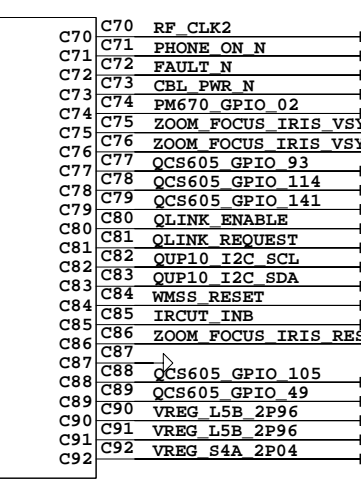
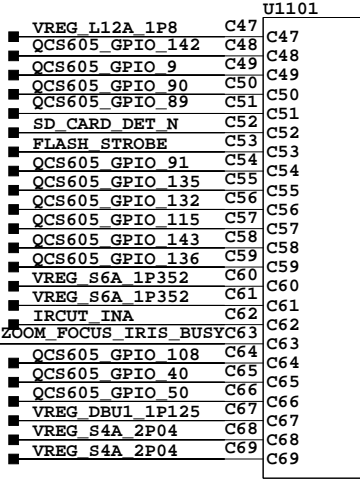
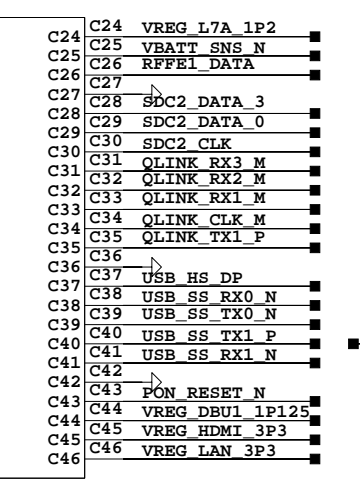
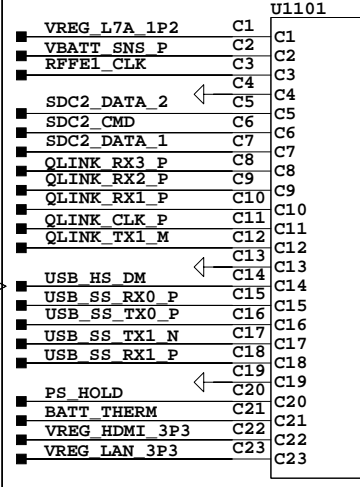
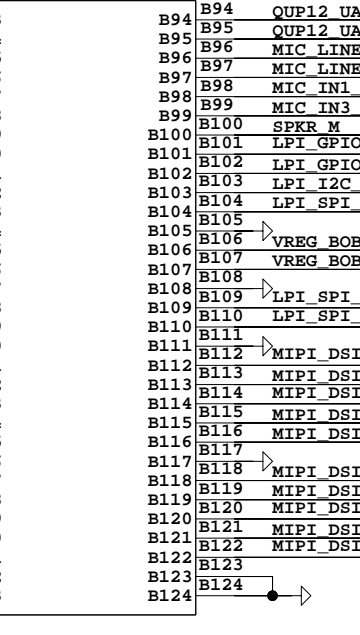
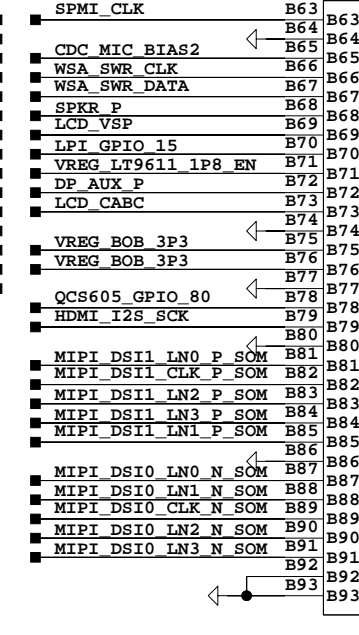
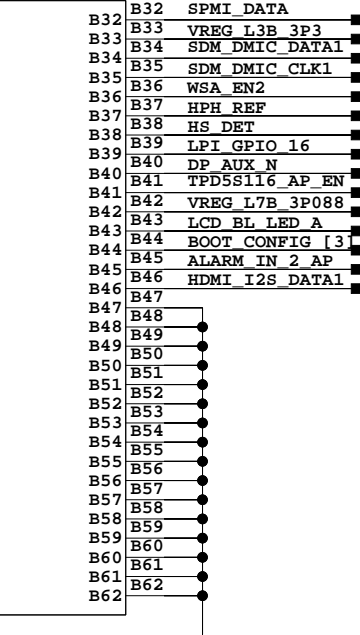
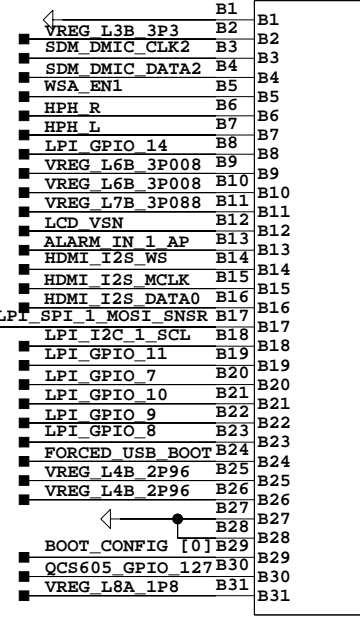
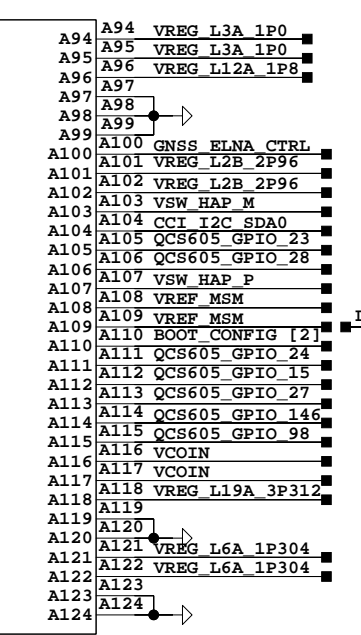
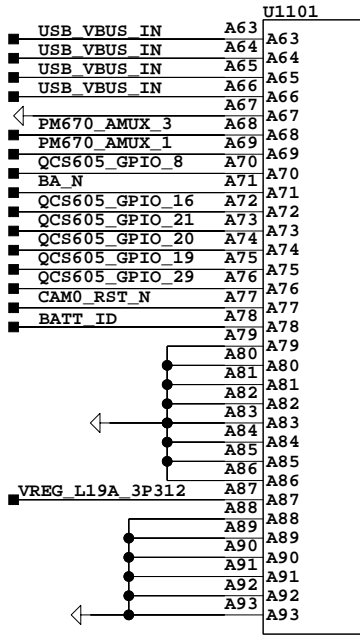
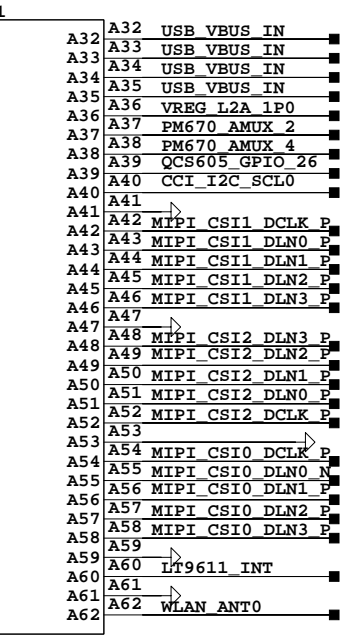
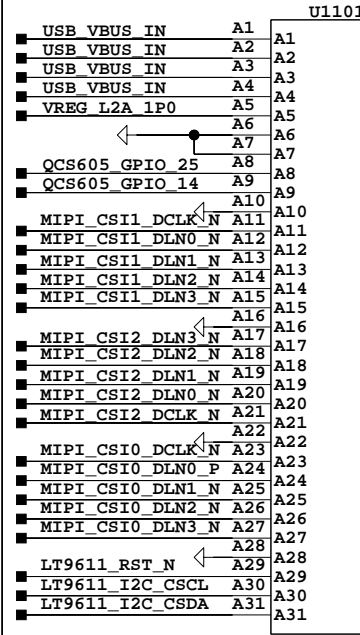
4

3

2

1

Confidential			
Designer:	Drawing Title: K01_SUB		
Drawn by:	Page Title: 10 CONECTOR POE		
Approved:	Size	Document Number	Rev
	B		
Sheet 10 of 21		Date: 12/05/2021:15:54	



4

3

2

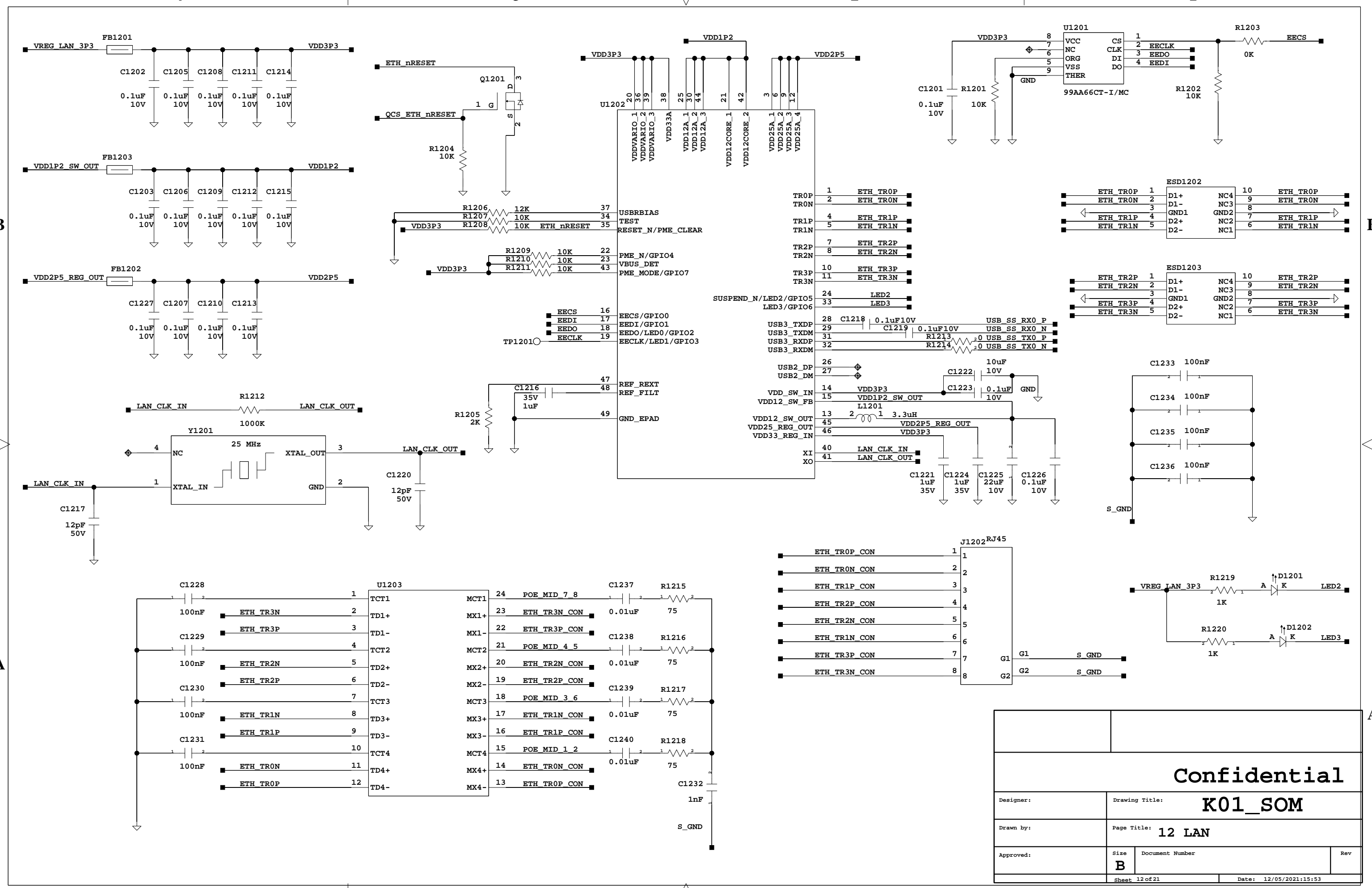
1

B

B

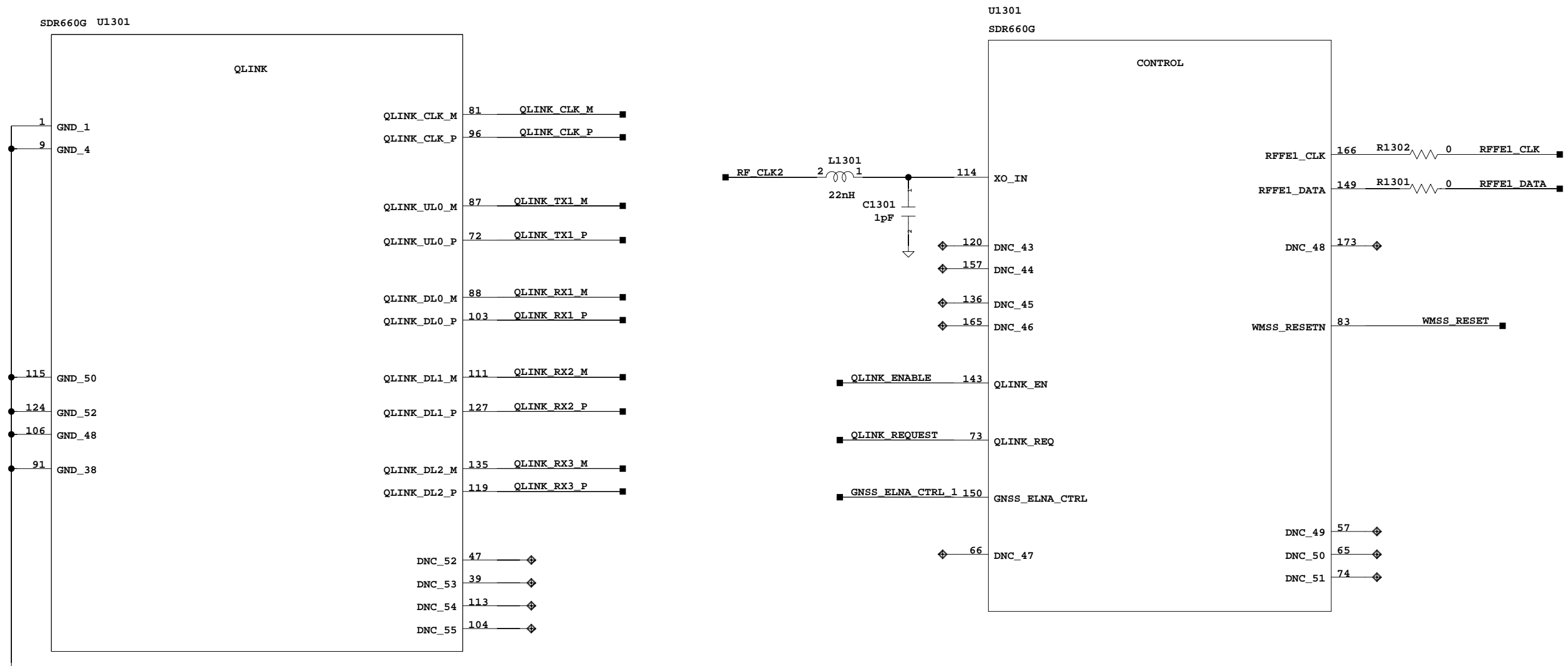
A

A



Confidential			
Designer:	Drawing Title: K01_SOM		
Drawn by:	Page Title: 12 LAN		
Approved:	Size: B	Document Number:	Rev:
Sheet 12 of 21		Date: 12/05/2021:15:53	

GNSS: SDR660G CONTROL/QLINK



Confidential			
Designer:		Drawing Title: K01_SOM	
Drawn by:		Page Title: 13 GNSS: SDR660G CONTROL/QLINK	
Approved:		Size: B	Document Number: _____ Rev: _____
Sheet 13 of 21		Date: 12/05/2021:15:53	

GNSS : SDR660G PWR/GND

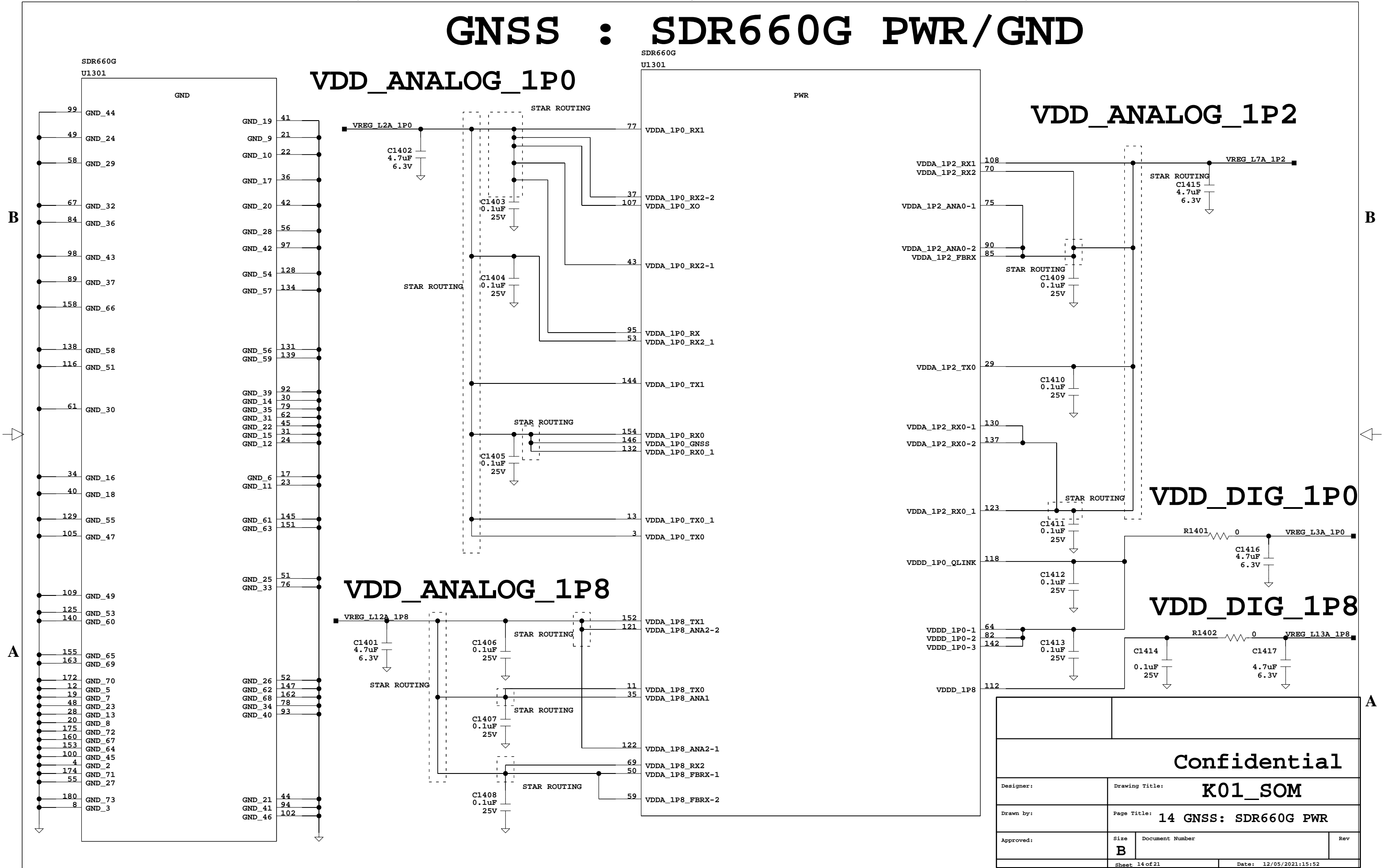
VDD_ANALOG_1P0

VDD_ANALOG_1P2

VDD_ANALOG_1P8

VDD_DIG_1P0

VDD_DIG_1P8

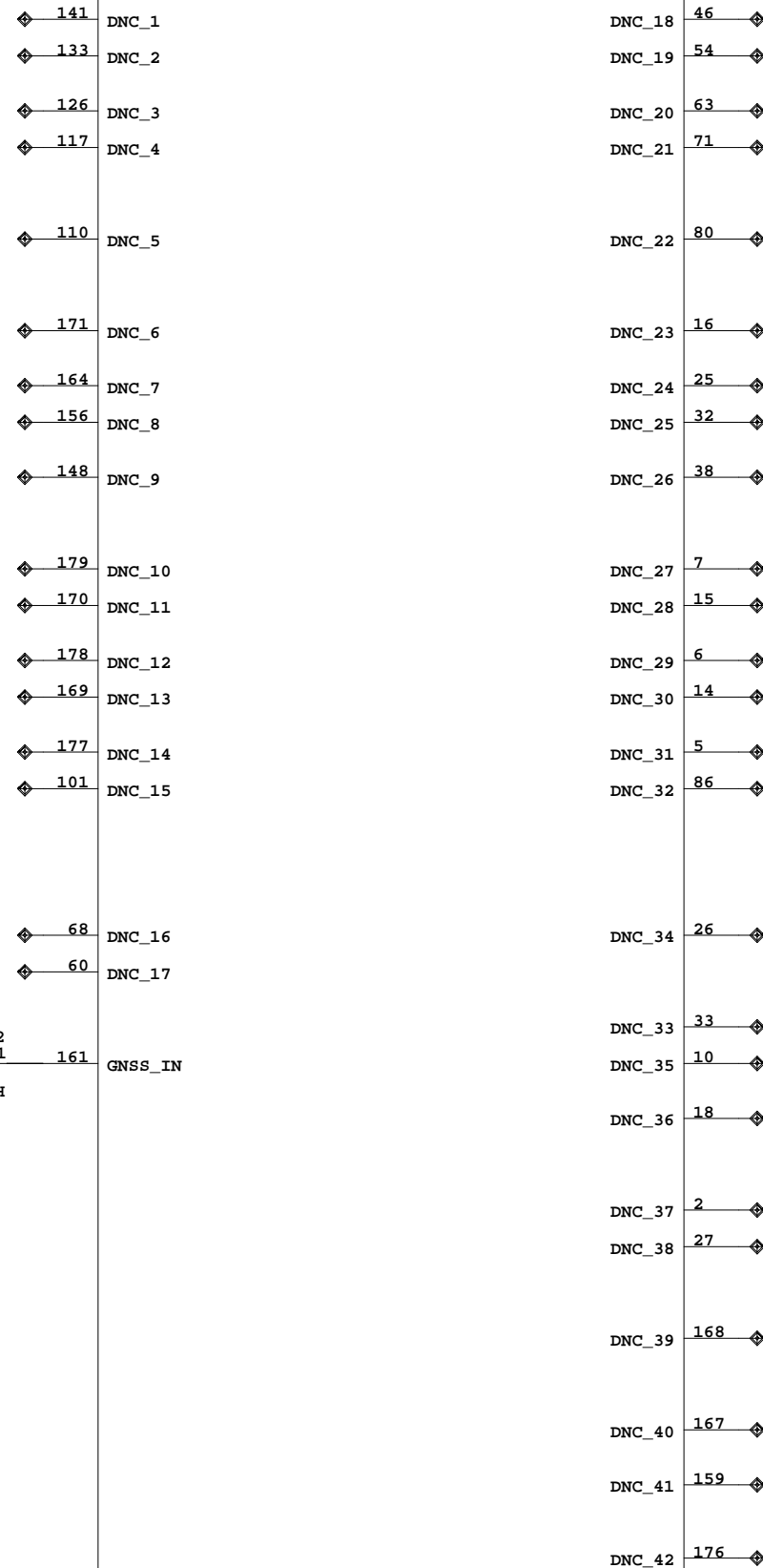


Confidential			
Designer:	Drawing Title: K01_SOM		
Drawn by:	Page Title: 14 GNSS: SDR660G PWR		
Approved:	Size: B	Document Number:	Rev:
Sheet 14 of 21		Date: 12/05/2021:15:52	

GNSS : SDR660G GNSS_IN

U1301
SDR660G

RF

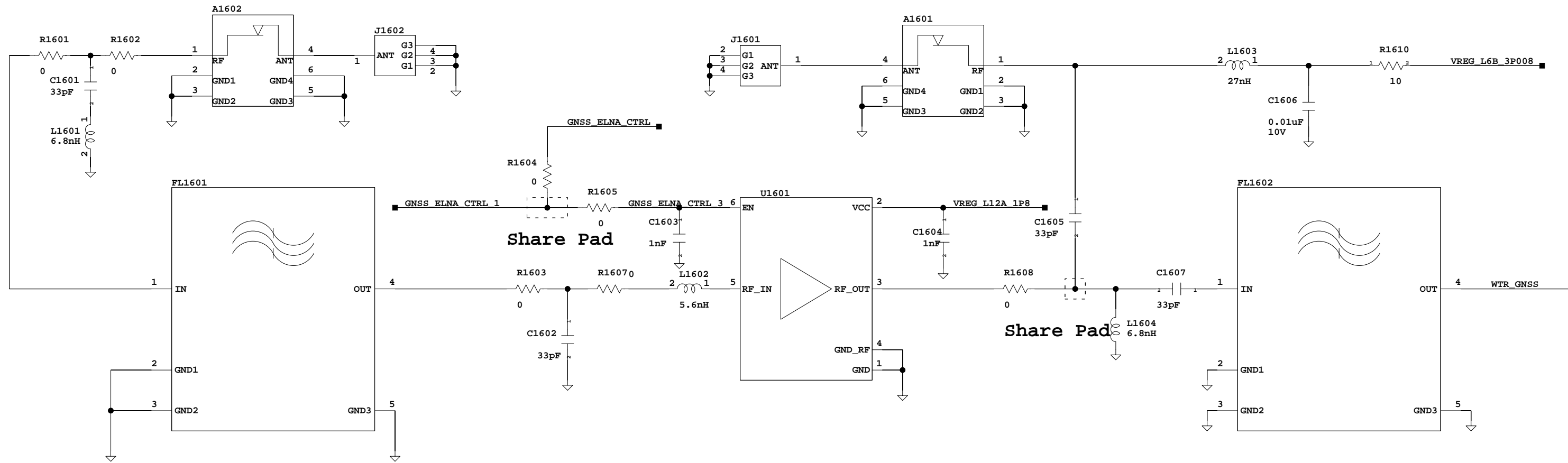


Confidential			
Designer:		Drawing Title: K01_SOM	
Drawn by:		Page Title: 15 GNSS: SDR660G GNSS_IN	
Approved:		Size: B	Document Number
Sheet 15 of 21		Date: 12/05/2021:15:52	

GNSS: LNA RFFE

GNSS Passive Antenna

GNSS Active Antenna



Confidential			
Designer:	Drawing Title: K01_SOM		
Drawn by:	Page Title: 16 GNSS: LNA RFFE		
Approved:	Size: B	Document Number:	Rev:
Sheet 16 of 21		Date: 12/05/2021:15:52	

4

3

2

1

B

B

A

A

A

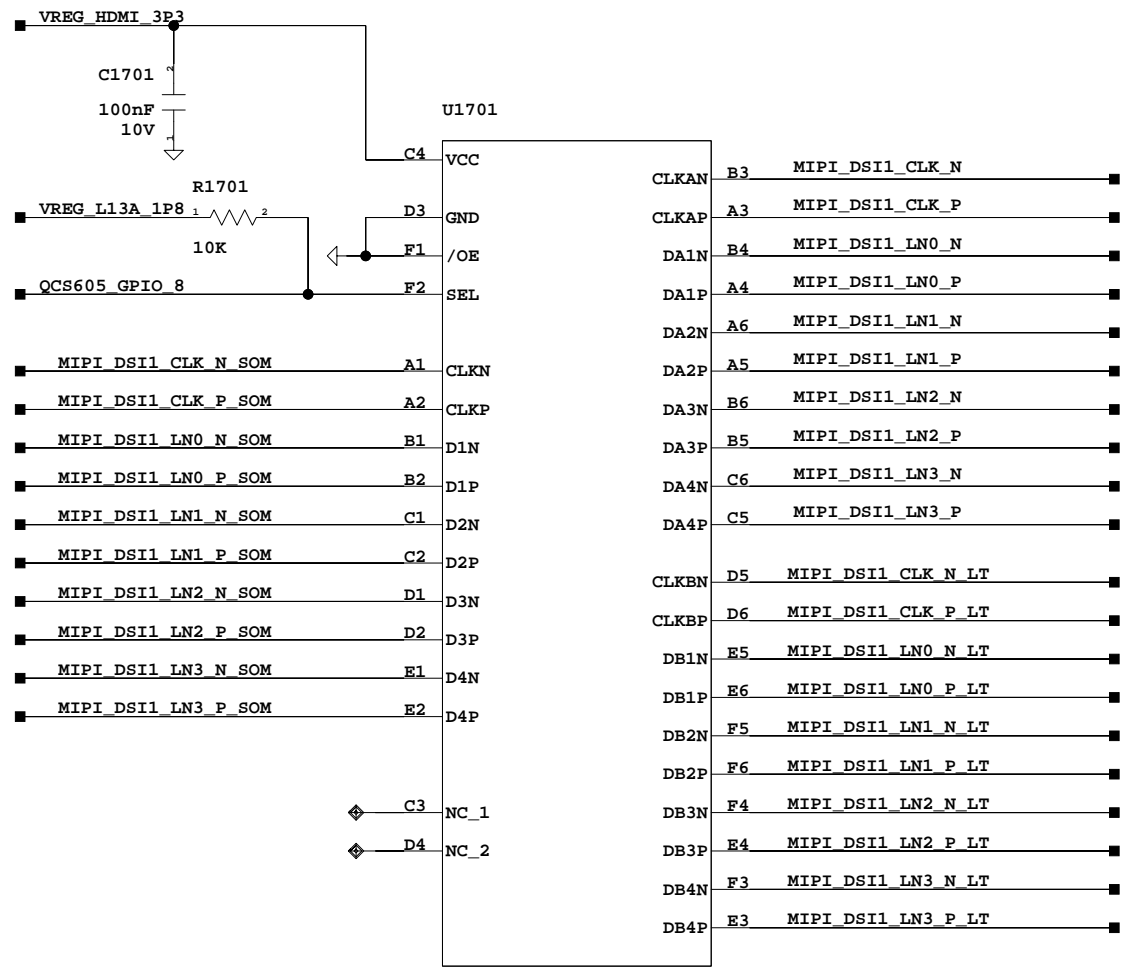
A

4

3

2

1



Confidential			
Designer:	Drawing Title: K01_SUB		
Drawn by:	Page Title: 17 DSI SWITCH		
Approved:	Size	Document Number	Rev
	B		
Sheet 17 of 21		Date: 12/05/2021:15:51	

4

3

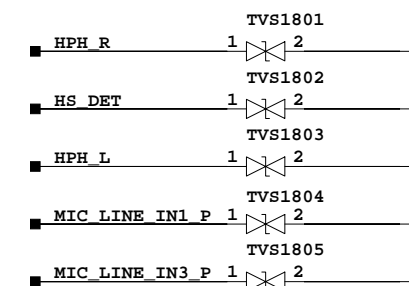
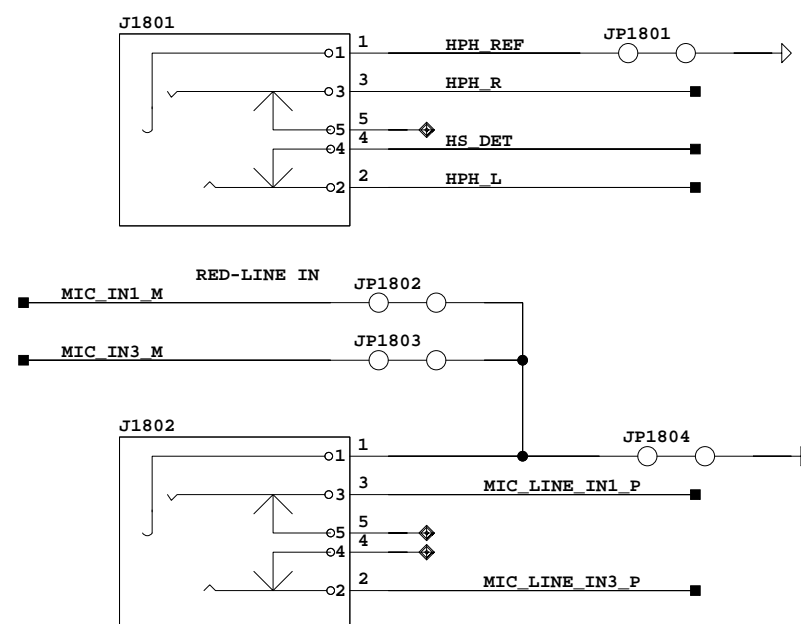
2

1

B

B

GREEN-LINE OUT



A

A

A

A

4

3

2

1

Confidential			
Designer:		Drawing Title: K01_SUB	
Drawn by:		Page Title: 18 TEST POINT	
Approved:		Size: B	Document Number
		Sheet 18 of 21	Date: 12/05/2021:15:51

A

4

3

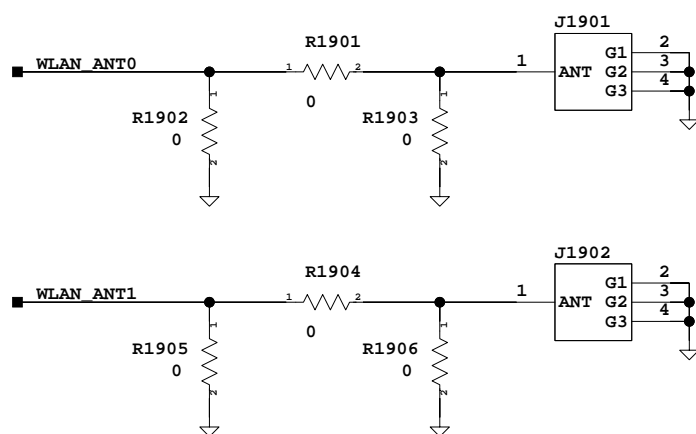
2

2

1

B

B



A

A

A

A

Confidential			
Designer:	Drawing Title: K01_SUB		
Drawn by:	Page Title: 19 WLAN ANT CONNECTOR		
Approved:	Size	Document Number	Rev
	B		
Sheet 19 of 21		Date: 12/05/2021:15:52	

4

3

2

2

1

4

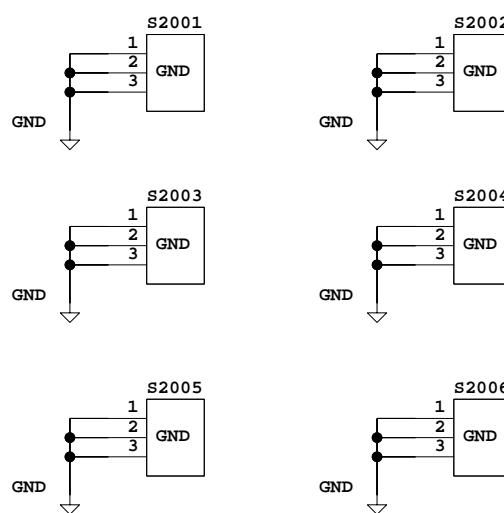
3

2

1

B

B



A

A

A

A

4

3

2

1

Confidential			
Designer:	Drawing Title: K01_SUB		
Drawn by:	Page Title: 20 shield		
Approved:	Size B	Document Number	Rev
Sheet 20 of 21		Date: 12/05/2021:15:52	

4

3

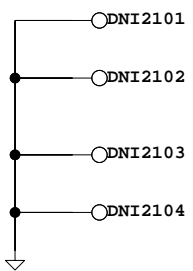
2

1

1

B

B



A

A

A

A

4

3

2

1

1

Confidential			
Designer:	Drawing Title: K01_SUB		
Drawn by:	Page Title: 21 Marking PCB		
Approved:	Size B	Document Number	Rev
Sheet 21 of 21		Date: 12/05/2021:15:52	