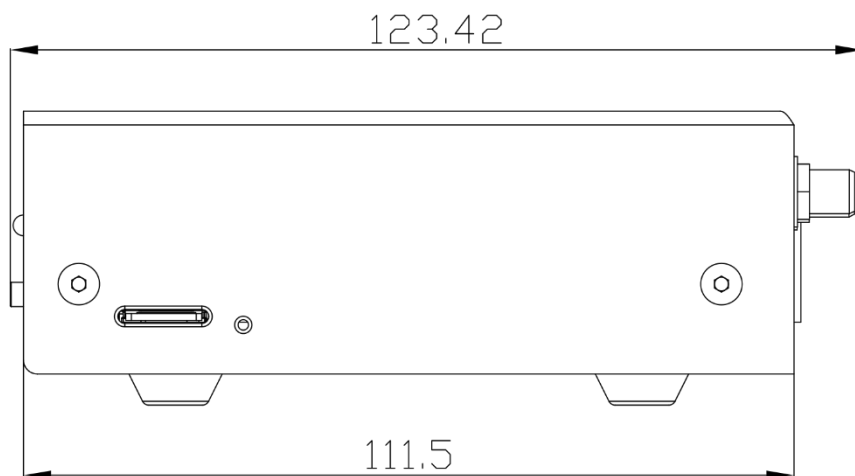
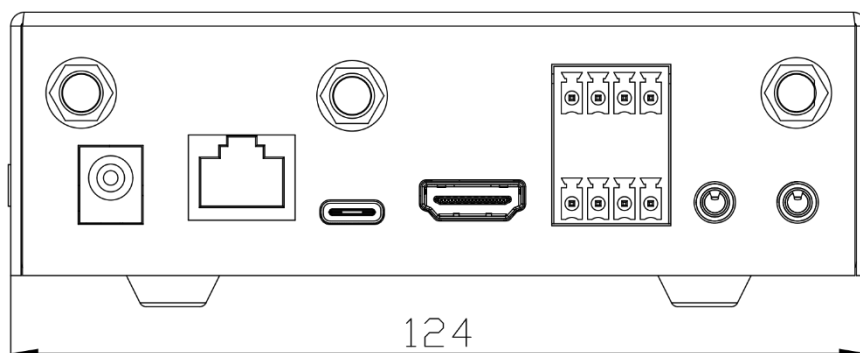
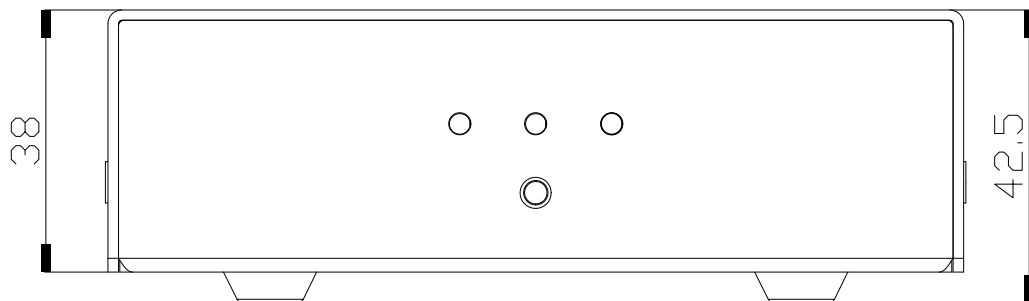


# USER MANUAL QCS605 AI BOX

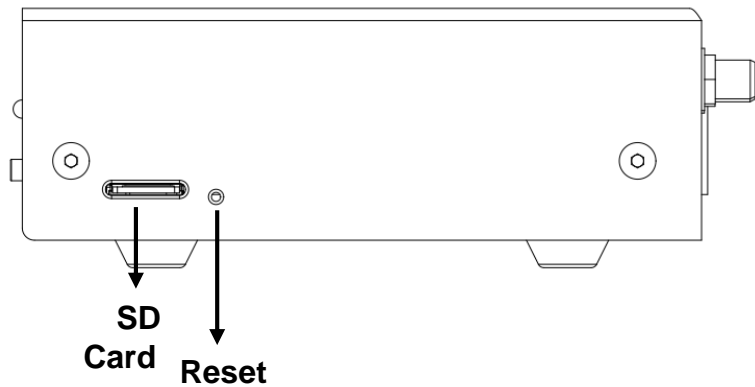
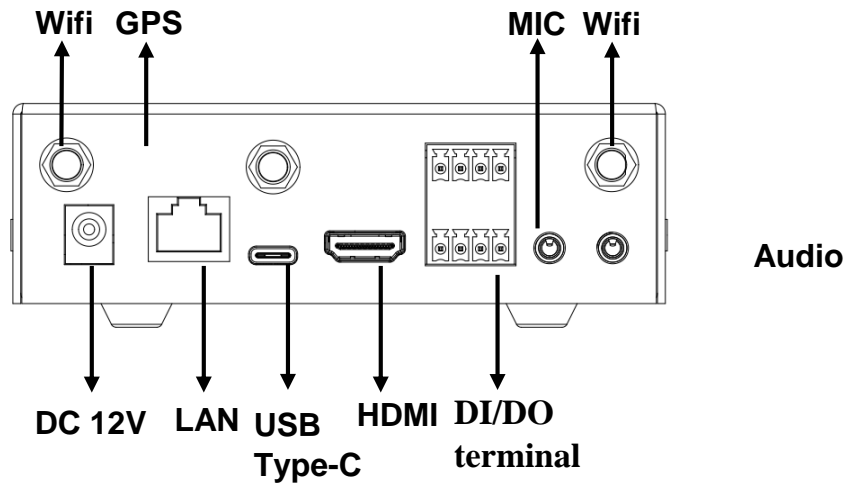
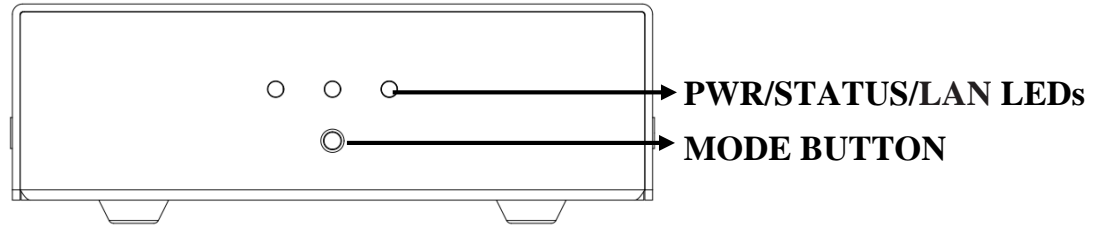


Dimensions



**Physical Description**

**1. Outer View**



## 2. Mode Button

Mode button is used in this device is tactile switches type, user-developed operating script.

## 3. Reset Button

The reset button is used to factory reset the device.

Reset procedure: Unplug the Box B01 -> Hold down the reset button -> Plug in the power -> Continue to hold for about 10 seconds and then release it -> Box will perform a factory reset and boot up at the Google Setup Wizard screen

## 4. USB Type C

One port USB Type C 3.1 is available in this device for debug and flashing images.

## 5. HDMI

One port HDMI 1.4 Type A is available in this device for transmitting images, videos to external devices such as monitors.

## 6. Alarm I/O (DI/DO terminal)

Various I/O supports including Alarm-in, Alarm-out (Relay).

DI1+	1 <sup>st</sup> Alarm input signal line terminal, positive
DI1-	1 <sup>st</sup> Alarm input signal line terminal, negative (GND)
DI2+	2 <sup>nd</sup> Alarm input signal line terminal, positive
DI2-	2 <sup>nd</sup> Alarm input signal line terminal, negative (GND)
DOA	1 <sup>st</sup> Alarm output signal line terminal 1
DOB	1 <sup>st</sup> Alarm output signal line terminal 2
DOC	2 <sup>nd</sup> Alarm output signal line terminal 1
DOD	2 <sup>nd</sup> Alarm output signal line terminal 2

Two alarm outputs with NO contacts of IM06GR (TE) relay:

- Switching power: 60W/62.5VA
- Switching voltage: 220VDC/250VAC
- Switching current: 2A

Two alarm inputs can support input voltage level are 5VDC to 12VDC.

### 7. LEDs

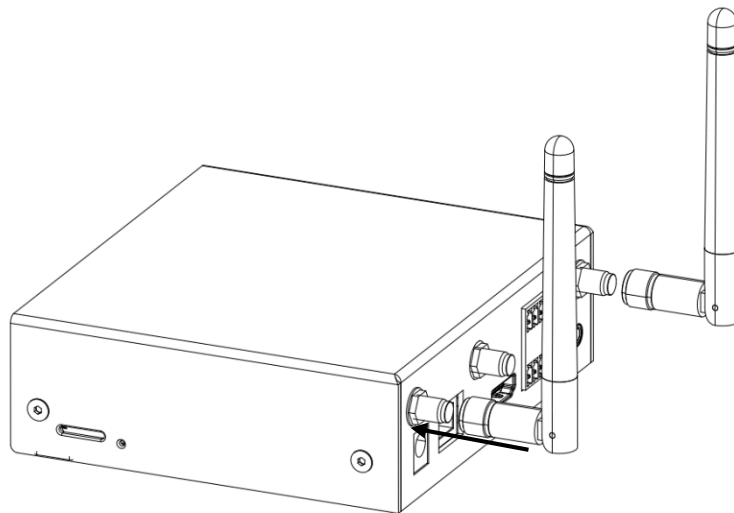
System Power Green LED	Power is ON/OFF
Status RG LED	User-developed operating script.
LAN RG LED	User-developed operating script.

### 8. SD Card

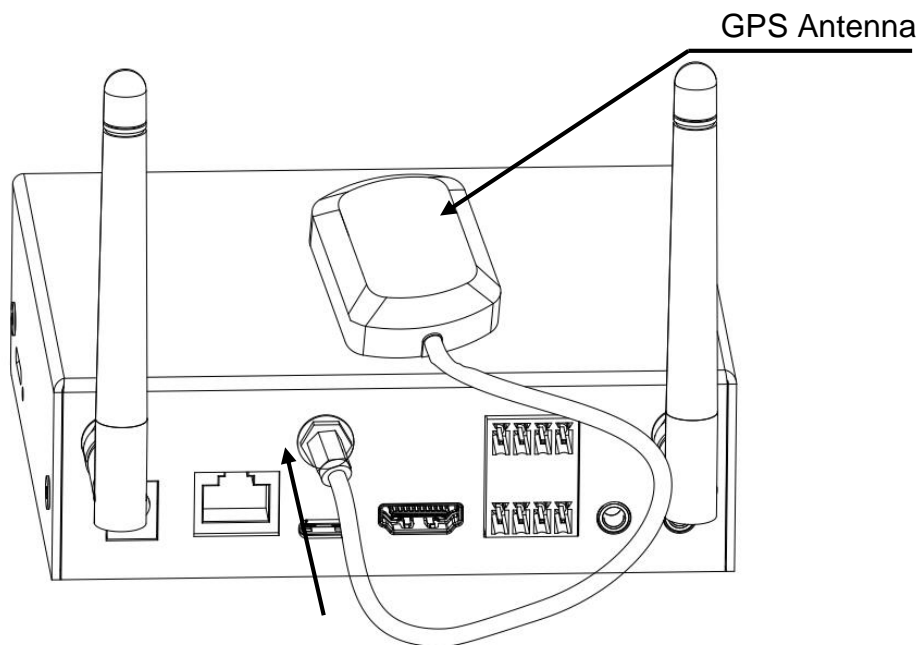
QCS605 supports Micro SD Card up to 2TB.

### 9. Hardware Installation.

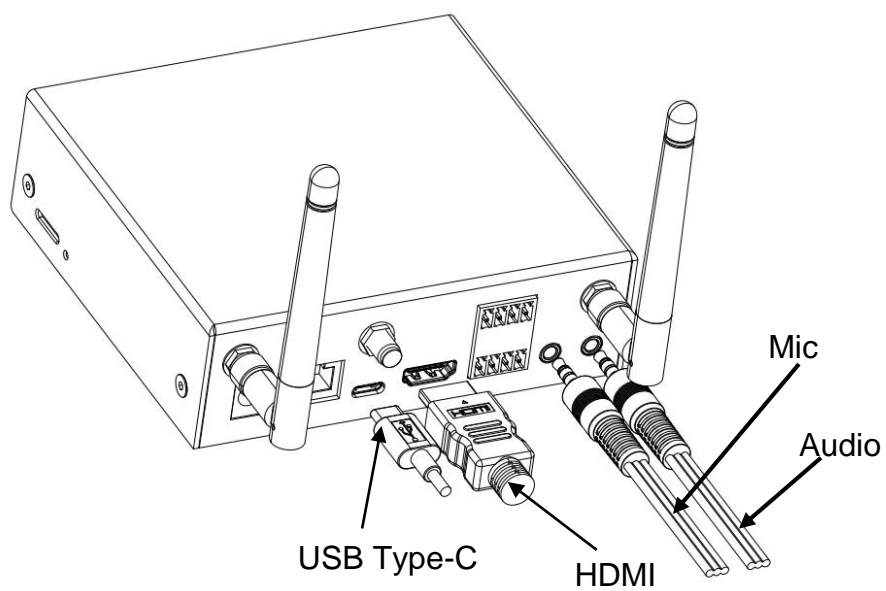
1. Install the dual Wifi Antenna.



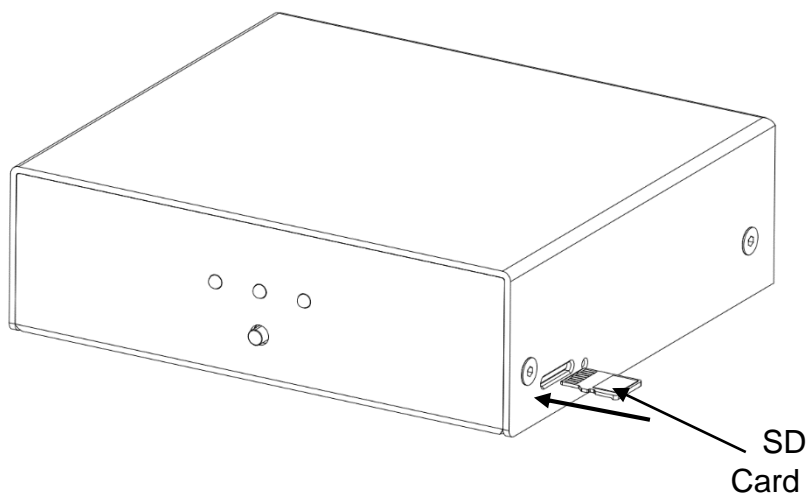
2. Install the GPS Antenna.



3. Install Mic, Audio, USB Type-C, Micro HDMI

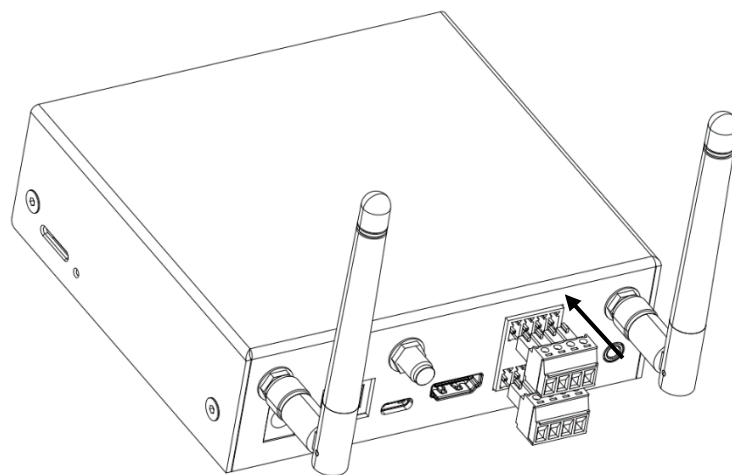


4. Install SD Card.



5. Install DI/DO

a. Install Terminal connector.



- b. Installing Cable DI/DO to block terminal. Then, to use Screwdriver fix the cable.

